

DP SERIES PLASTIC DIAPHRAGM VALVES

DP series composite valves are constructed of corrosion resistant materials. They are designed to handle deionized water, acids, caustic harsh chemicals or gases that would rapidly corrode metal valves. The DP series valve body and cap are molded with glass-filled Noryl* thermoplastic.

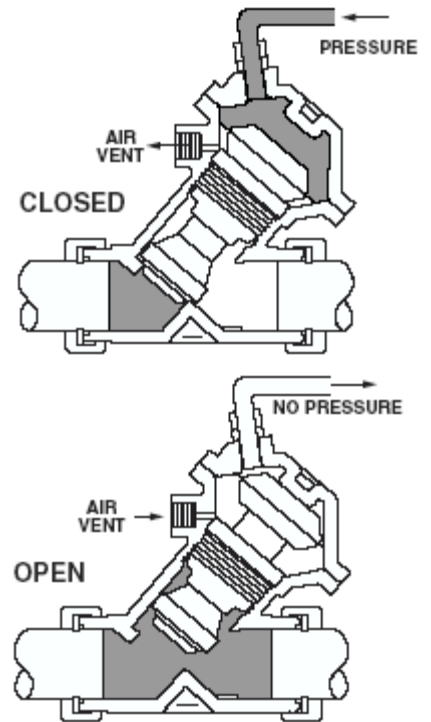
FEATURES

- **Low Pressure Loss.** Y-pattern diaphragm valve, with large seat opening and high lift disc permits higher flow rates at lower pressure loss than other comparable valves.
- **Positive Control.** Separate flow and control chambers permit positive closing without springs; and only nominal cost for spring assist opening for low-pressure and self-draining applications.
- **Cost-Effective Design.** The DP series valve is a cost-effective solution in initial purchase price as well as in lifetime maintenance. All components can be serviced while the valve **is in-line**.
- **Separate Diaphragm.** Separate diaphragm chambers protect the valve diaphragm from the flow Chambers stream. This allows the diaphragm to be replaced without disrupting service.
- **Long Diaphragm Life.** Pre-formed, stress relieved diaphragm minimizes fatigue, maximizes valve responsiveness and diaphragm lifetime.
- **Corrosion Resistant.** All internal parts in contact with media are made of composite materials. Seals are ethylene propylene for better chemical resistance**.
- **Pipe Sizes.** DP Series valves are available in four different sizes, from 1/2-inch to 2-1/2-inch. A variety of available end connectors make the valve compatible for 3/8-inch to 3-inch pipe sizes.

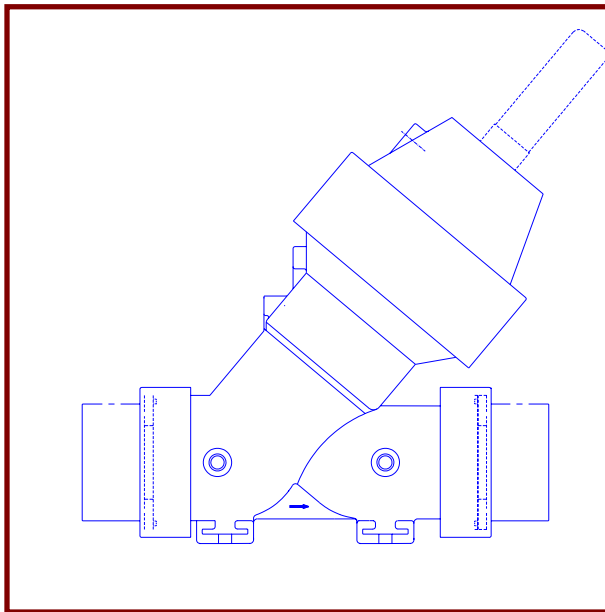


Operating Specifications

Maximum Pressure.....125 PSI (8.6 bars)
 Maximum Temperature140°F (60°C)
 Operation.....The DP series valve is closed by introducing either hydraulic or pneumatic pressure to the upper diaphragm chamber. The control pressure must be equal to or greater than the line pressure. The valve is opened by relieving the pressure from the upper diaphragm chamber. The line pressure under the seat will then open the valve. The unique Y-pattern design minimizes pressure loss in the valve.



Valve Size (inches)	¾	1	1 ¼	1 ½	2	2 ½	3	4	6
C_v	11.5	13.0	26.5	32.5	56.0	84.0	135.0	275.0	680.0



Options:

- Adjustable Flow Control
- Position Indicators
- Optional Seal and Diaphragm Materials for Special Applications
- Spring Assist

Available Valve Options:

- Normally Open (Standard)
- Spring Assist Closed
- Limit Stop Flow Control
- Optional Seals
- Normally Closed
- Spring Assist Open
- Position Indicator Material