



**LMI**  
**MILTON ROY**

Introducing...

**ROYTRONIC™**

**SERIES A**

Setting the New  
**HIGH STANDARD**  
for  
Electronic  
Metering Pumps

**3 Year Warranty**



# ROYTRONIC™ SERIES A

***New robust design with the advanced features and high end performance you expect from LMI***

## ***Control Features***

- Choose from one of 5 control options:
  - Manual stroke length control / fixed speed
  - Manual stroke length and speed control
  - Manual stroke length / pulse input speed control
  - Manual stroke length / auto pulse input or manual speed control
  - Manual stroke length / auto 4-20mA or manual speed control
- Locking Cover
- NEMA 4X / IP65 Enclosure
- Stroke indicator light
- On/Off push button
- New industrial grade IP-68 external signal/equipment interface
- Inputs for low level switch available on certain models



## ***New AutoPrime™ Liquid End***

- Automatically and continuously purges entrapped air from process fluid
- Eliminates air binding when used with liquids such as sodium hypochlorite

## ***New Heights in Standard Features***

- New 4 Function Valve with swivel mount that allows flexible orientation
- FastPrime standard liquid end enables easy start-up
- Both single and double ball checks available for improved pumping efficiency
- Tubing connection system sets a new standard for secure and leak-proof tubing connections



Tubing Connection System - Exploded View

**Liquifram  
Size 1**  
1/4" O.D. Tubing

Drive Assembly	Liquid End Type	Liquid End Code	Check Type	Material of Construction					Accs. Valve
				Head/Fittings	Balls	Seat	O-ring	Max PSI/BAR	
				<b>AX1</b> FastPrime™ 0.003 to 0.26 GPH (0.01 to 1.0 l/h), 120 SPM AutoPrime™ 0.001 to 0.13 GPH (0.005 to 0.5 l/h), 120 SPM <b>AX4</b> FastPrime™ 0.005 to 0.5 GPH (0.02 to 1.9 l/h), 240 SPM AutoPrime™ 0.003 to 0.25 GPH (0.01 to 0.9 l/h), 240 SPM					
<b>A81_</b> <b>A71_</b> <b>A31_</b> <b>A11_</b> <b>A01_</b> <b>A84_</b> <b>A74_</b> <b>A34_</b> <b>A14_</b> <b>A04_</b>	AutoPrime™	910HI	Double Ball	Acrylic/PVC	Ceramic	Polyprel	Polyprel	150/10.3	APH + 4FV
		918HI		PVC/PVC	Ceramic	Polyprel	Polyprel	150/10.3	APH + 4FV
	FastPrime™	910SI	Double Ball	Acrylic/PVC	Ceramic	Polyprel	Polyprel	250/17.2	FPH + 4FV
				915SI	PP/PP	Ceramic	PTFE	PTFE	250/17.2
		919SI	Acrylic/PVDF	PTFE	Polyprel	Polyprel	250/17.2	FPH + 4FV	
		812SI	PVDF/PVDF	Ceramic	Polyprel	Polyprel	250/17.2	FPH + 4FV	
		813SI	PVDF/PVDF	Ceramic	PTFE	PTFE	250/17.2	FPH + 4FV	
		918SI	PVC/PVDF	Ceramic	Polyprel	Polyprel	250/17.2	FPH + 4FV	
		818SI	PVC/PVDF	Ceramic	Polyprel	Polyprel	250/17.2	FPH + 4FV	
		718SI	Single Ball	PVC/PVDF	Ceramic	Polyprel	Polyprel	250/17.2	FPH + 4FV
		917NI	Double Ball	316 SS/316 SS	316 SS	316 SS	PTFE	250/17.2	FPH 1/4" NPT M

**Liquifram  
Size 2**  
3/8" O.D. Tubing

Drive Assembly	Liquid End Type	Liquid End Code	Check Type	Material of Construction					Accs. Valve
				Head/Fittings	Balls	Seat	O-ring	Max PSI/BAR	
				<b>AX5</b> FastPrime™ 0.01 to 1.0 GPH (0.04 to 3.8 l/h), 240 SPM AutoPrime™ 0.005 to 0.55 GPH (0.02 to 2.1 l/h), 240 SPM					
<b>A85_</b> <b>A75_</b> <b>A35_</b> <b>A15_</b> <b>A05_</b>	AutoPrime™	920HI	Double Ball	Acrylic/PVC	Ceramic	Polyprel	Polyprel	110/7.6	APH + 4FV
		928HI		PVC/PVC	Ceramic	Polyprel	Polyprel	110/7.6	APH + 4FV
	FastPrime™	920SI	Double Ball	Acrylic/PVC	Ceramic	Polyprel	Polyprel	110/7.6	FPH + 4FV
				925SI	PP/PP	Ceramic	PTFE	PTFE	110/7.6
		929SI	Acrylic/PVDF	PTFE	Polyprel	Polyprel	110/7.6	FPH + 4FV	
		822SI	PVDF/PVDF	Ceramic	Polyprel	Polyprel	110/7.6	FPH + 4FV	
		823SI	PVDF/PVDF	Ceramic	PTFE	PTFE	110/7.6	FPH + 4FV	
		828SI	PVC/PVC	Ceramic	Polyprel	Polyprel	110/7.6	FPH + 4FV	
		728SI	Single Ball	PVC/PVC	Ceramic	Polyprel	Polyprel	110/7.6	FPH + 4FV
		927NI	Double Ball	316SS/316SS	316SS	316SS	PTFE	110/7.6	FPH 1/4" NPT M

**Liquifram  
Size 3**  
3/8" O.D. Tubing

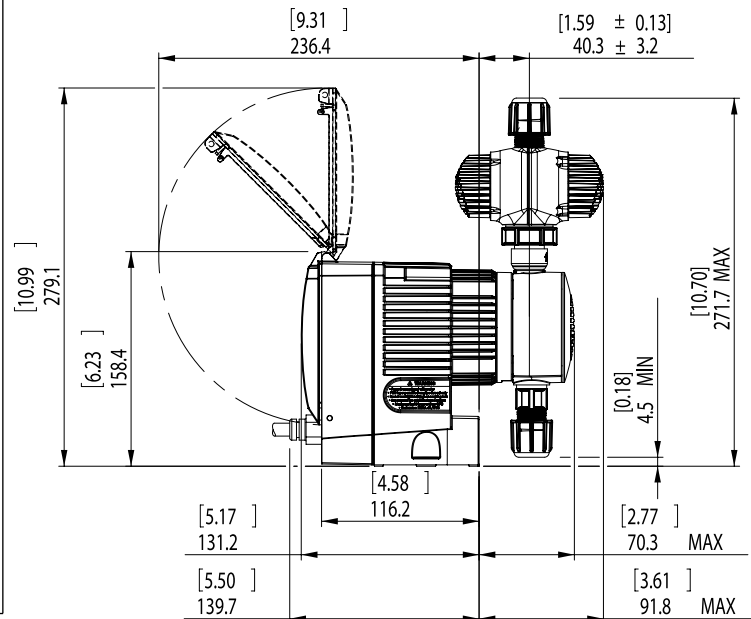
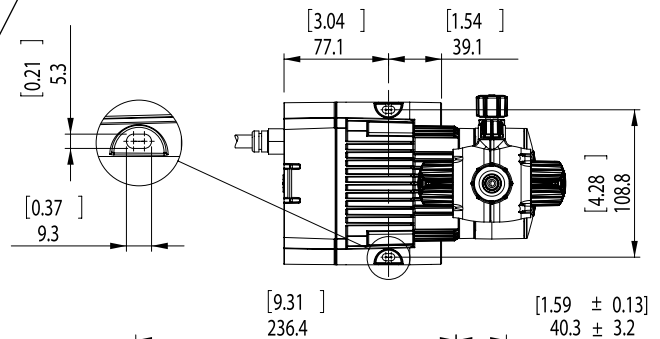
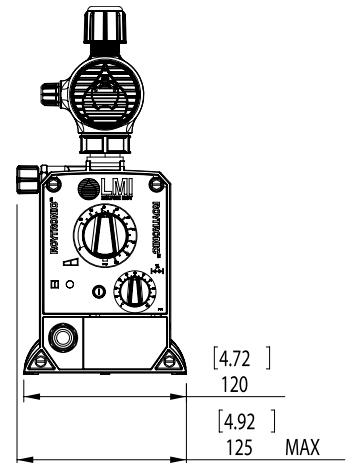
Drive Assembly	Liquid End Type	Liquid End Code	Check Type	Material of Construction					Accs. Valve
				Head/Fittings	Balls	Seat	O-ring	Max PSI/BAR	
				<b>AX6</b> FastPrime™ 0.02 to 2.0 GPH (0.08 to 7.6 l/h), 240 SPM AutoPrime™ 0.017 to 1.7 GPH (0.06 to 6.4 l/h), 240 SPM					
<b>A86_</b> <b>A76_</b> <b>A36_</b> <b>A16_</b> <b>A06_</b>	AutoPrime™	930HI	Double Ball	Acrylic/PVC	Ceramic	Polyprel	Polyprel	50/3.4	APH + 4FV
		938HI		PVC/PVC	Ceramic	Polyprel	Polyprel	50/3.4	APH + 4FV
	FastPrime™	930SI	Double Ball	Acrylic/PVC	Ceramic	Polyprel	Polyprel	50/3.4	FPH + 4FV
				935SI	PP/PP	Ceramic	PTFE	PTFE	50/3.4
		939SI	Acrylic/PVDF	PTFE	Polyprel	Polyprel	50/3.4	FPH + 4FV	
		832SI	PVDF/PVDF	Ceramic	Polyprel	Polyprel	50/3.4	FPH + 4FV	
		833SI	PVDF/PVDF	Ceramic	PTFE	PTFE	50/3.4	FPH + 4FV	
		838SI	PVC/PVC	Ceramic	Polyprel	Polyprel	50/3.4	FPH + 4FV	
		738SI	Single Ball	PVC/PVC	Ceramic	Polyprel	Polyprel	50/3.4	FPH + 4FV
		937NI	Double Ball	316SS/316SS	316SS	316SS	PTFE	50/3.4	FPH 1/4" NPT

- To specify changes in head, accessory valve, and/or connections, please refer to the model code configuration chart.
- APH indicates that the pump is equipped with an LMI AutoPrime™ Head. This head allows for the constant removal of vapors and gases present in applications like sodium hypochlorite and hydrogen peroxide.
- FPH indicates that the pump is equipped with an LMI FastPrime™ Head. This head has an integral manual priming valve to facilitate quick pump start-up.
- 4FV indicates that the pump is equipped with an LMI Four Function Valve. This diaphragm type, anti-syphon/pressure relief valve is installed on the pump head.
- Fluorofilm™ is a copolymer of PTFE and PFA. Polyprel® is an elastomeric PTFE copolymer.
- Polyprel® is a registered trademark of Liquid Metronics Incorporated. Fluorofilm™, Liquifram™, AutoPrime™ and FastPrime™ are trademarks of Liquid Metronics Incorporated.

MODEL: A 8 1 2 - 9 1 8 H M

Model Code Configuration

<b>Drive</b>	<b>Control Code</b>
	<p><b>0 – Single Manual Control:</b> Speed (stroking frequency) fixed and stroke length manually adjustable</p> <p><b>1 – Dual Manual Control:</b> Speed (stroking frequency) and stroke length manually adjustable</p> <p><b>3 – Pulse Input / Single Manual Control:</b> External control capability through pulse input and low level float switch plus manual control adjustments of control code 0</p> <p><b>7 – Pulse Input / Dual Manual Control:</b> External control capability through pulse input and low level float switch plus manual control adjustments of control code 1</p> <p><b>8 – Analog Input / Dual Manual Control:</b> External control capability through 4-20mA input and low level float switch plus manual control adjustments of control code 1</p>
	<b>Output Codes</b>
	See Output Options
<b>Liquid End</b>	<b>Voltage Code</b>
	<p>1 – 110-120V US Plug</p> <p><b>2 – 220-240V US Plug</b></p> <p>3 – 220-240V DIN Plug</p> <p>5 – 220-240V UK Plug</p> <p>6 – 220-240V Aust/NZ Plug</p> <p>7 – 220-240V Swiss Plug</p> <p>8 – 110-120V No Plug</p>
	<b>Liquid End Code</b>
	See previous page for options
	<b>Liquifram™ Size Code</b>
	<p>1 – 0.2 in<sup>2</sup></p> <p><b>2 – 0.4 in<sup>2</sup></b></p> <p>3 – 0.8 in<sup>2</sup></p> <p>4 – 1.6 in<sup>2</sup></p>
	<b>Material Code</b>
	See previous page for options
	<b>Head/Valve Code</b>
	<p>S – FastPrime™ Head + 4FV</p> <p>N – FastPrime™ Head</p> <p><b>H – AutoPrime™ Head + 4FV</b></p> <p>A – AutoPrime™ Head</p>
<b>Connection Code</b>	
<p>I – Inch Tubing and 1/2" NPT or 1/2" BSP Pipe</p> <p><b>M – Metric Tubing</b></p> <p>U – Black, UV Resistant Tubing</p>	



\* Dimensions shown are maximum for largest liquid end available. These dimensions vary depending on the liquid end selected.



PRODUCTION SPECIFICATION SHEET

CUSTOMER: WATER KING

DATE: 3/31/10 BY: MSG

www.designtanks.com

PART #

COLOR: AQUA/WHT

QUANTITY: 1 SIZE: FBFL 24" X 50" 90 GALLON

ISO  VE  NEXUS

S.O.#: 41518 REV. A

LOGO  STEAM

SPECIAL INSTRUCTIONS: P.O. 13761

RFQ 41518

WARRANTY VOID IF CONTENTS INFO NOT SUPPLIED

ITEM	QTY	DESCRIPTION
1	1	24" HNG. COVER, WHITE
2	4	304SS H.D. HOLD-DOWN LUG WITH 7/8" HOLE
3	2	304SS L.D. LIFT LUG
4	1	DRY HEAT CURE/RINSE TANK

CONTENTS LABEL

Chemical Chlorine

Concentration \_\_\_\_\_ %  
 Temperature (Maximum) 150 °F

