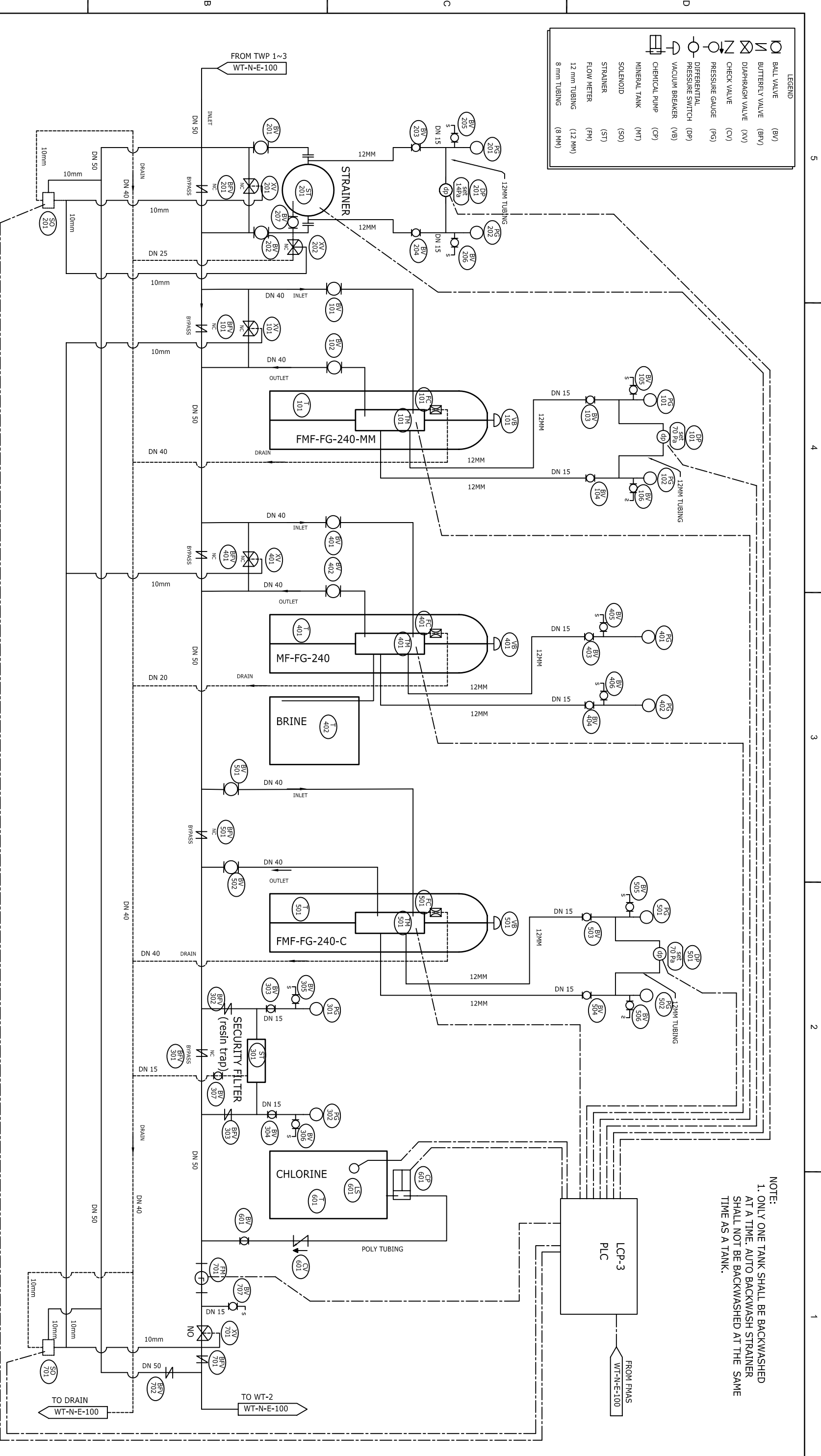
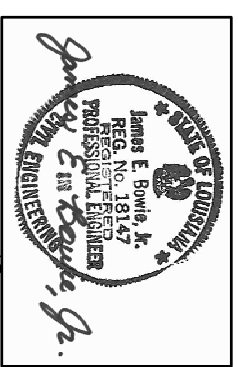


LEGEND	
	(BV) BALL VALVE
	(BFV) BUTTERFLY VALVE
	(XV) DIAPHRAGM VALVE
	(CV) CHECK VALVE
	(PG) PRESSURE GAUGE
	(DP) DIFFERENTIAL PRESSURE SWITCH
	(VB) VACUUM BREAKER
	(CP) CHEMICAL PUMP
	(MT) MINERAL TANK
	(SO) SOLENOID
	(ST) STRAINER
	(FM) FLOW METER
	12 mm TUBING (12 MM)
	8 mm TUBING (8 MM)



NOTE:
 1. ONLY ONE TANK SHALL BE BACKWASHED AT A TIME. AUTO BACKWASH STRAINER SHALL NOT BE BACKWASHED AT THE SAME TIME AS A TANK.

- ST 201 AUTO BACKWASH STRAINER
- T 101 AUTO BACKWASH MULTI-MEDIA FILTER
- T 401 SOFTENER
- T 501 AUTO BACKWASH CARBON FILTER
- T 402 BRINE TANK
- ST 301 SECURITY FILTER
- CP 601 CHEMICAL DOSING PUMP
- T 601 CHEMICAL STORAGE TANK



August 4, 2010



RSEA ENGINEERING CORPORATION

1011 PROJECT

NTS

PROJECT NAME: SURVEILLANCE RADAR PROGRAM
 BUILDING: WATER TREATMENT BUILDING
 DRAWING TITLE: WATER FILTRATION SKID P&ID

REV	DATE	APPROVED BY:	DESCRIPTION
1	06/29/2010	THMB	ISSUE FOR APPROVAL
2	07/29/2010		ADD NOTATIONS per CTCI
3	08/04/2010		ADD NOTATIONS per CTCI

DESIGNED BY:	CHECKED BY:	DATE:	SCALE:
J.BOWIE	R.MCHARDSON	06/29/2010	NOT TO SCALE