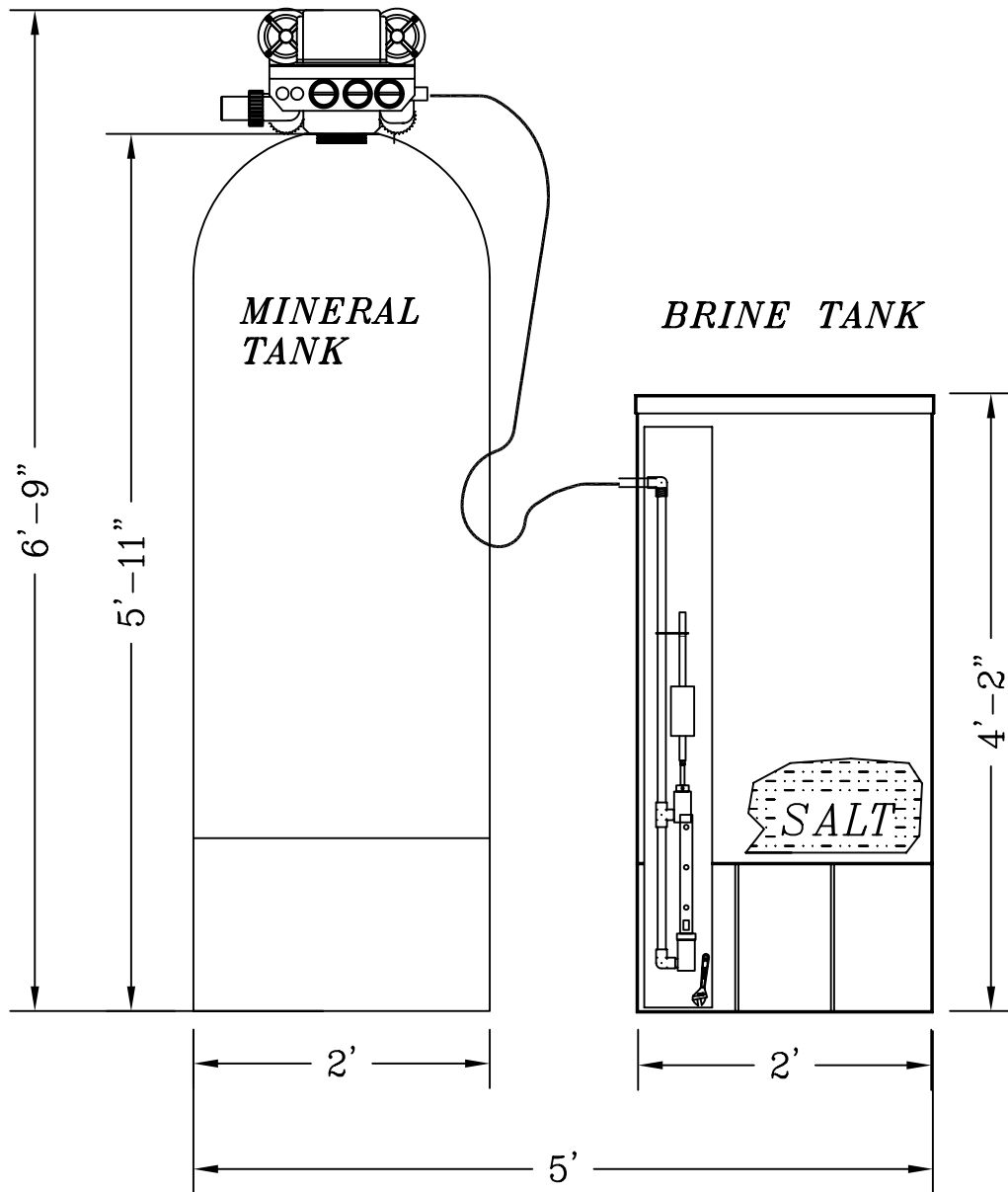
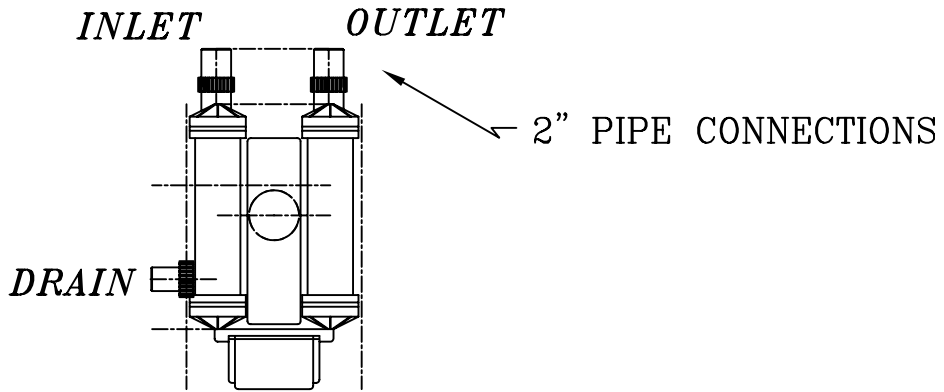


C:\CATALOG\WKBF240-2single.dwg, 3/24/2005 11:49:36 AM, Adobe PDF, Letter, 1:15.3488, Water King Inc



BY:	No.	REVISION	DATE	CK'D
	0	PRELIMINARY	03/24/05	
	1			
PLOTTED / PRINTED:		03/24/2005		

Water King
WATER CONDITIONING

Water King, Inc.
 102 Charbonnet Rd., Duson, Louisiana, U.S.A. 70529
 Telephone: (337) 988-2360 * Fax: (337) 981-7922
 www.waterking.com

WK BF-240-2" SINGLE TYPICAL PIPING ARRANGEMENT		
DR: R.RICHARDSON	ENG: .	DRY WEIGHT
CHK BY:	FILE: C:\CATALOG\WKBF240-2single.dwg	OPERATING WT.
DATE: 03/24/05	DRAWING NUMBER: WKBF240-2SINGLE	
SCALE: NONE		SHEET 1 / 1