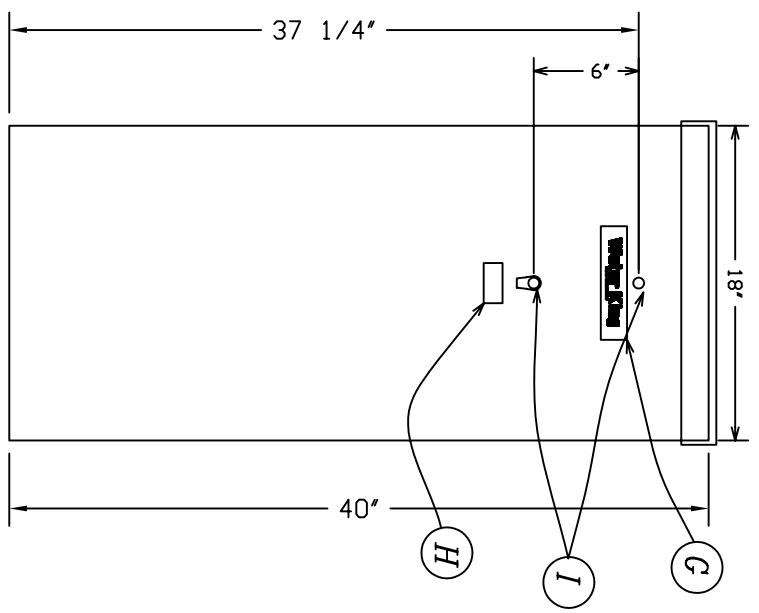
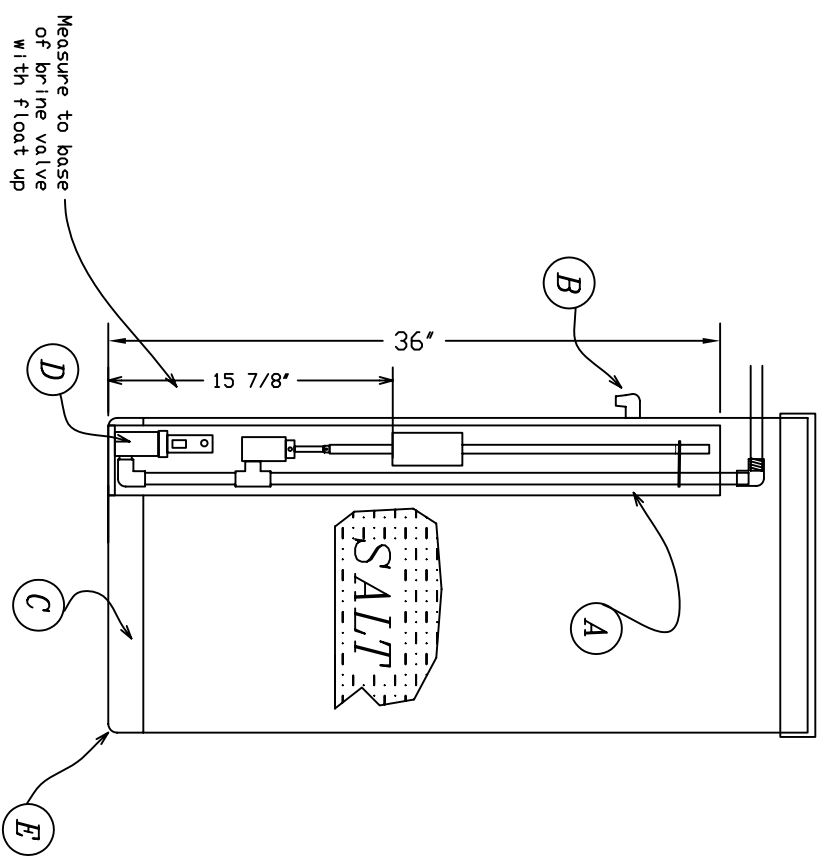


BILL OF MATERIALS		805061 18" x 40" BRINE TANK ASSY.	
ITEM	PART#	DESCRIPTION	QTY.
A	505007	4"x36" BRINE WELL ASSEMBLY	1
B	200145	3/4" OVERFLOW FITTING	1
C	480012	#20 GRAVEL (per LB)	30
D	706022-V	3/4" TOUGH STUFF BRINE VALVE	1
E	200010-1	18" x 40" BRINE TANK WITH COVER	4
G	400258	WATER KING DECAL - WIDE	1
H	401237	OVERFLOW WARNING LABEL	1
I	INST	USE 3/8" DRILL BIT TO DRILL HOLES	



RELATED PARTS:  
 200126-1 BRINE LINE ASSY.  
 200442-1 BRINE DIRECTOR ASSY.  
 200441-1 BRINE DIST. ASSY.  
 SALT DRAW: 29 Lbs.  
 SALT STORAGE: 320 Lbs.  
 UNITS SHIPPED WITH:  
 50, 70

BY:	No.	REVISION	DATE	CHK'D.
	0	PRELIMINARY	0/00/2007	
	1	PRELIMINARY	4/28/2008	HM

PLOTTED / PRINTED: 2/18/2010

**Water King**  
 WATER CONDITIONING  
 Water King, Inc.  
 102 Charbonnet Rd., Duson, Louisiana, U.S.A. 70529  
 Telephone: (337) 988-2360 • Fax: (337) 981-7922  
 www.waterking.com

18" x 40" BRINE TANK ASSEMBLY		DR. R. RICHARDSON	ENGR. . .	DATE	SCALE	FILE	DWG. NUMBER	DRY WEIGHT	OPERATING WT.
		BY	CHK'D.	DATE	SCALE	C:\CATALOG\805064	805064		
		DATE	SCALE	DATE	SCALE				
		DATE	SCALE	DATE	SCALE				