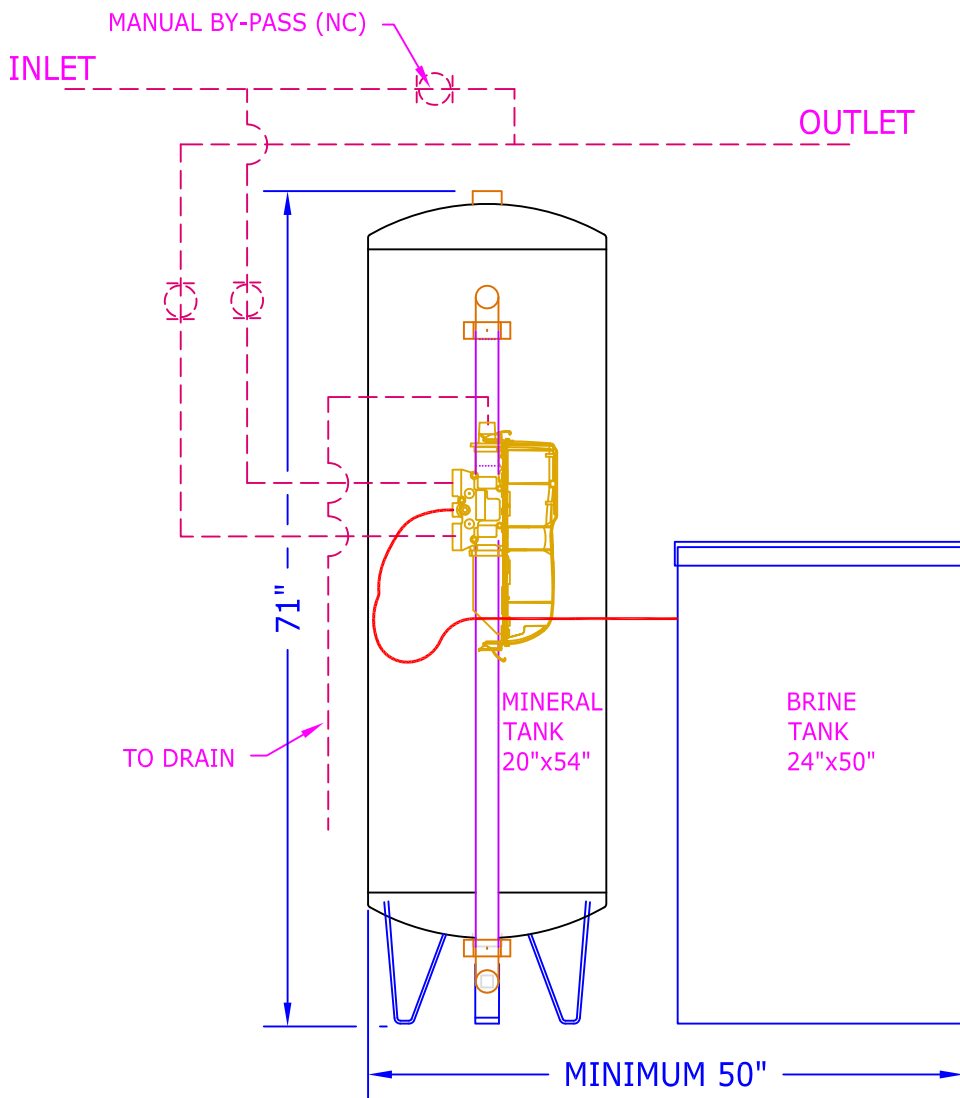


TOP VIEW



ELEVATION

NOTES:

- 1) PIPING SHOWN IN DASHED LINES TO BE SUPPLIED BY CUSTOMER.
- 2) ALLOW 1 FOOT ABOVE TANKS FOR LOADING.

SHIPPING WEIGHT	859 Lbs.
OPERATING WEIGHT	

BY:	No.	REVISION	DATE	CK'D
RLR	0	SUBMITTAL FOR APPROVAL	03/31/2011	JEB



920150
MF-150 WATER SOFTENER
GENERAL ARRANGEMENT

SCALE	DRAWING NUMBER	SHEET
N.T.S.	MF-150-1.5-SX	01 / 01