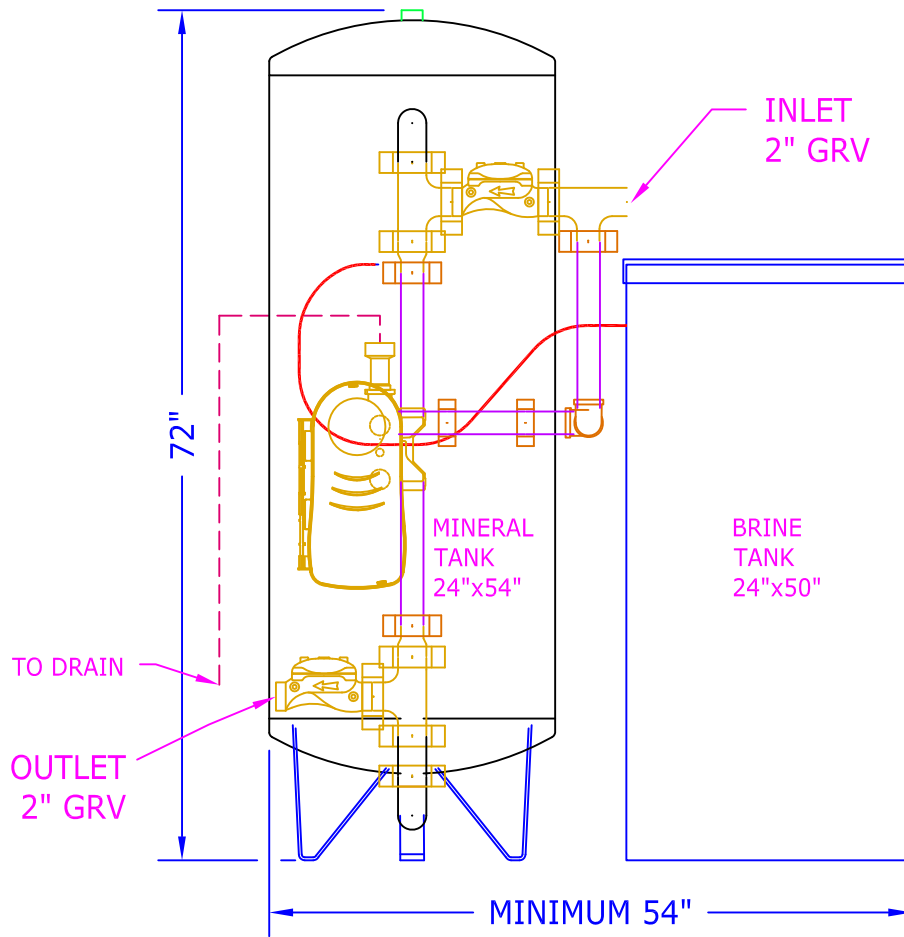


TOP VIEW



ELEVATION

NOTES:

- 1) PIPING SHOWN IN DASHED LINES TO BE SUPPLIED BY CUSTOMER.
- 2) ALLOW 1 FOOT ABOVE TANKS FOR LOADING.

| | |
|------------------|-----------|
| SHIPPING WEIGHT | 1111 Lbs. |
| OPERATING WEIGHT | |

| BY: | No. | REVISION | DATE | CK'D |
|-----|-----|------------------------------|------------|------|
| RLR | 0 | SUBMITTAL FOR APPROVAL | 04/01/2011 | JEB |
| RLR | 1 | CORRECTED IN / OUT LOCATIONS | 05/20/2014 | |
| | | | | |
| | | | | |
| | | | | |



921240
MF-240S-2" WATER SOFTENER
GENERAL ARRANGEMENT

| | | |
|--------|----------------|---------|
| SCALE | DRAWING NUMBER | SHEET |
| N.T.S. | MF-240-2"-SX | 01 / 01 |