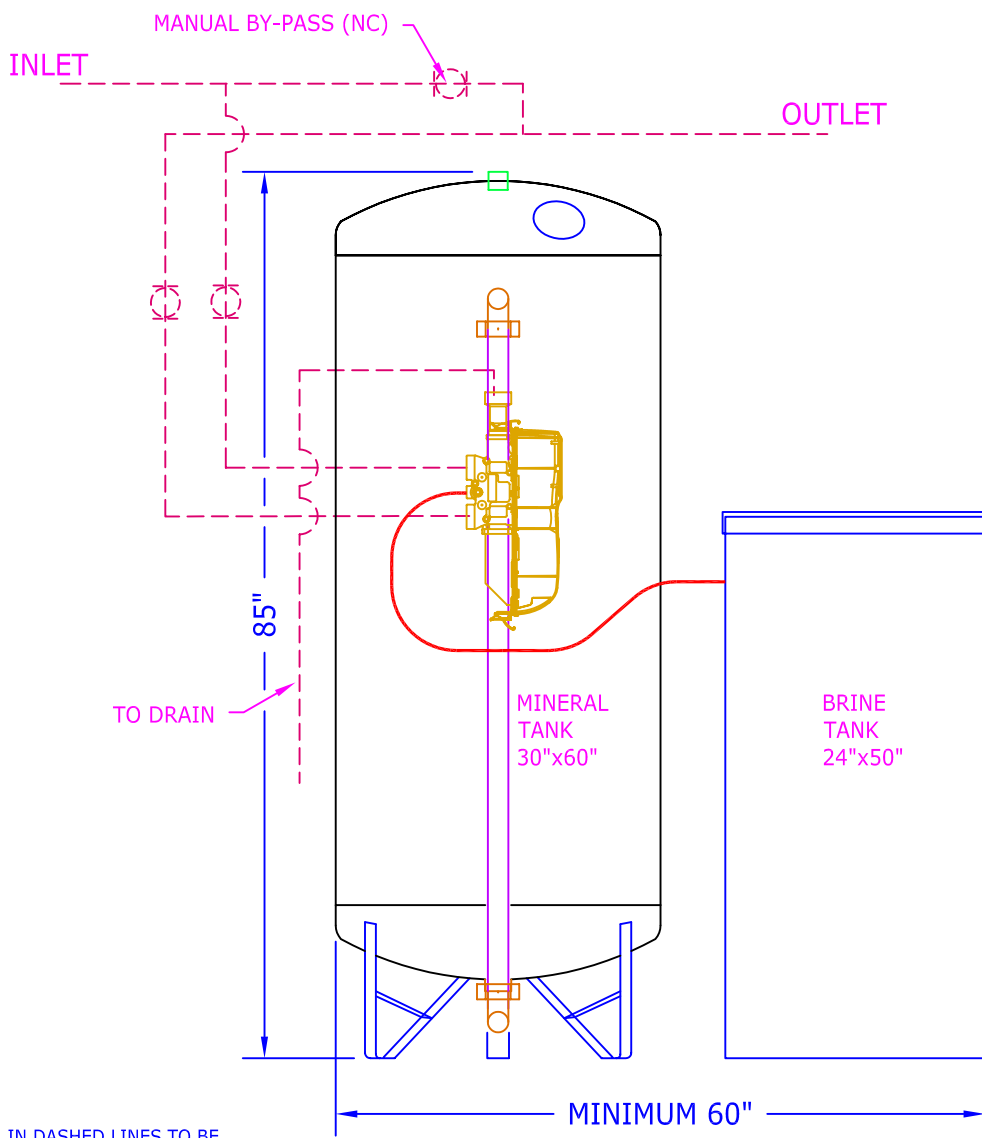


TOP VIEW



ELEVATION

- NOTES:
 1) PIPING SHOWN IN DASHED LINES TO BE SUPPLIED BY CUSTOMER.
 2) ALLOW 1 FOOT ABOVE TANKS FOR LOADING.

SHIPPING WEIGHT	1514 Lbs.
OPERATING WEIGHT	

BY:	No.	REVISION	DATE	CK'D
RLR	0	SUBMITTAL FOR APPROVAL	04/01/2011	JEB

Water King

920300 MF-300 WATER SOFTENER GENERAL ARRANGEMENT		
SCALE	DRAWING NUMBER	SHEET
N.T.S.	MF-300-1.5-SX	01 / 01
102 Charbonnet Rd., Duson, Louisiana, 70529, U.S.A. Telephone: (337) 988-2360 * Fax: (337) 981-7922 www.waterking.com		

J:\Drawings\catalog\MF-300-1.5-SX.dwg, 4/11/2011 10:39:26 AM, Adobe PDF, Letter, 1:17.728, Water King Inc.