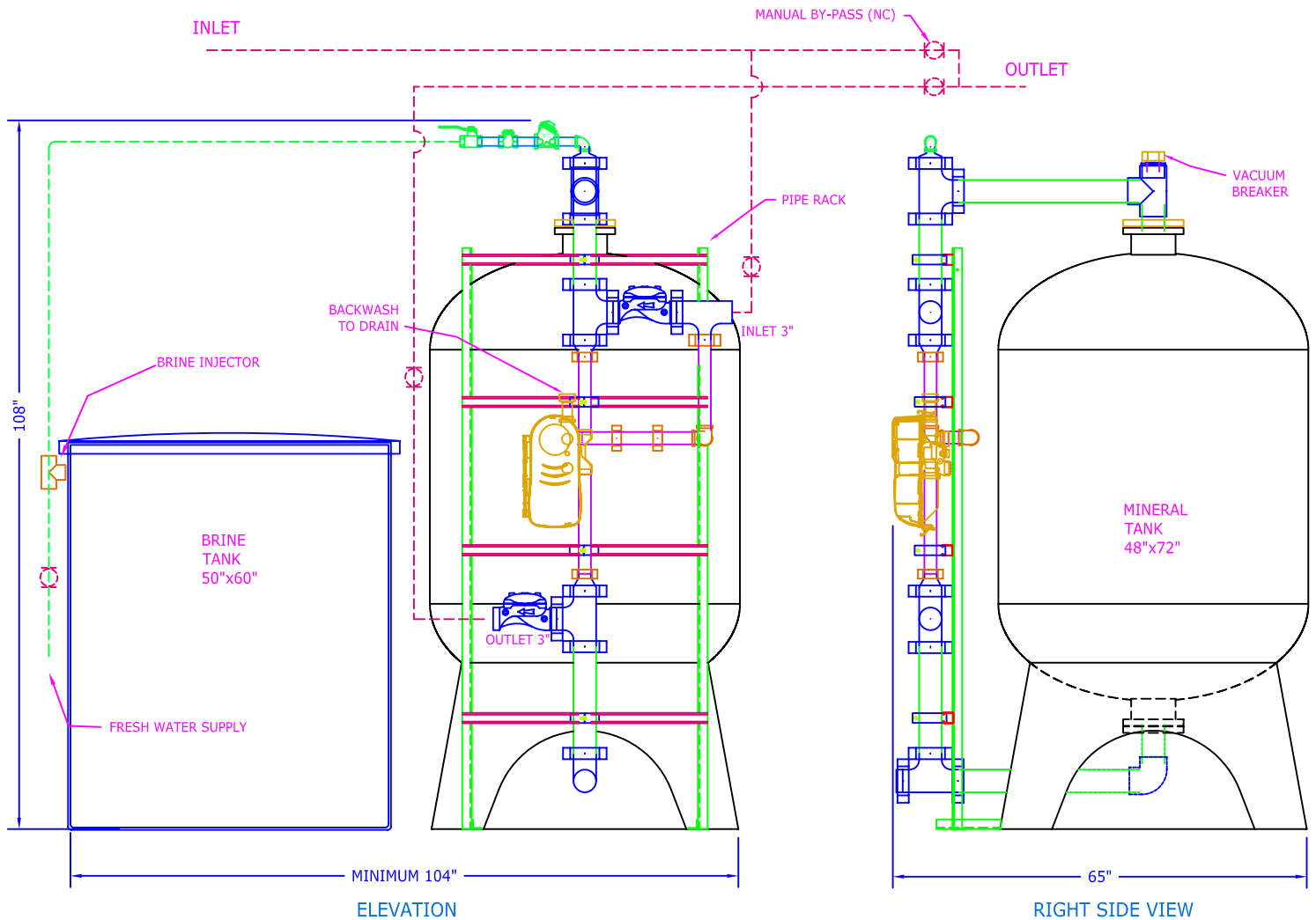
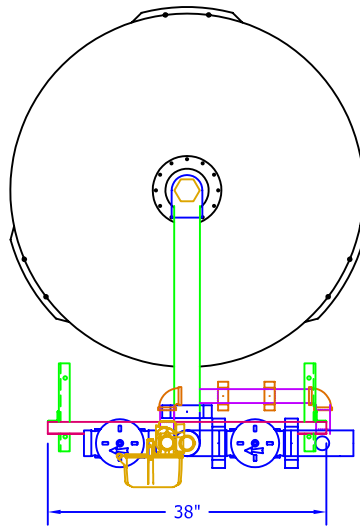


TOP VIEW



- NOTES:
- 1) PIPING SHOWN IN DASHED LINES TO BE SUPPLIED BY CUSTOMER.
 - 2) ALLOW 1 FOOT ABOVE TANKS FOR LOADING.

SHIPPING WEIGHT	6410 Lbs.
OPERATING WEIGHT	7560 Lbs.

BY:	No.	REVISION	DATE	CK'D
RLR	0	SUBMITTAL FOR APPROVAL	11/16/2010	JEB

Water King

923920		
MF-FG-1200S-3 SIMPLEX		
GENERAL ARRANGEMENT		
SCALE	DRAWING NUMBER	SHEET
N.T.S.	MF-FG-1200-3	01 / 01
www.waterking.com		

102 Charbonnet Rd., Duson, Louisiana, 70529, U.S.A.

Telephone: (337) 988-2360 * Fax: (337) 981-7922