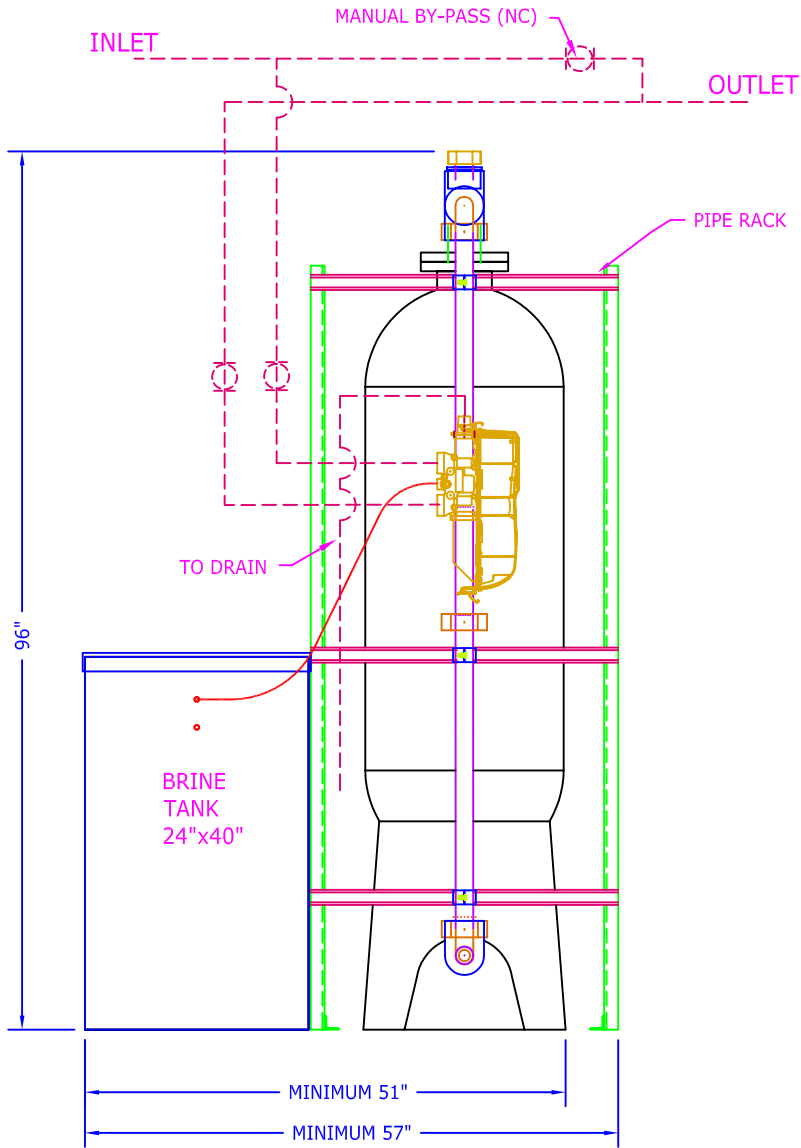
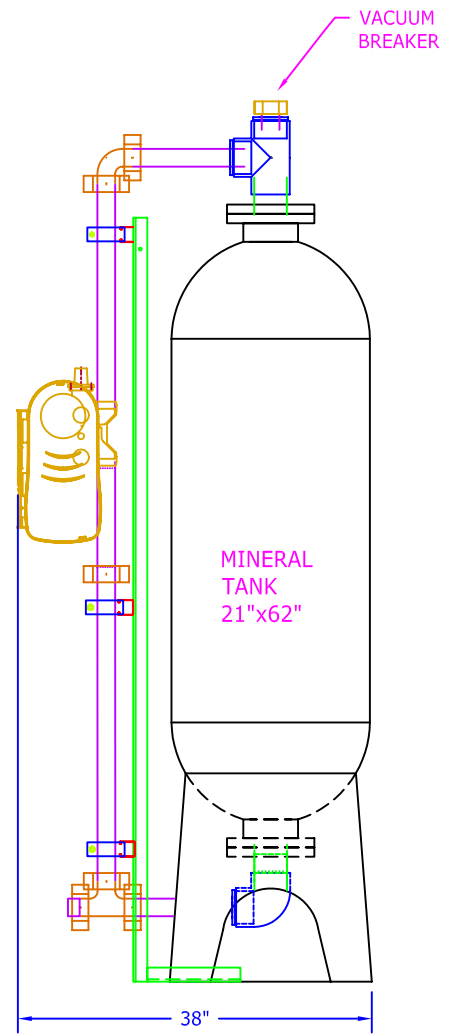


TOP VIEW



ELEVATION



RIGHT SIDE VIEW

- NOTES:
 1) PIPING SHOWN IN DASHED LINES TO BE SUPPLIED BY CUSTOMER.
 2) ALLOW 1 FOOT ABOVE TANKS FOR LOADING.

SHIPPING WEIGHT	800 Lbs.
OPERATING WEIGHT	

BY:	No.	REVISION	DATE	CK'D
RLR	0	SUBMITTAL FOR APPROVAL	11/15/2010	JEB

Water King

950150
 MF-FG-150 SIMPLEX
 GENERAL ARRANGEMENT

SCALE	DRAWING NUMBER	SHEET
N.T.S.	MF-FG-150	01 / 01