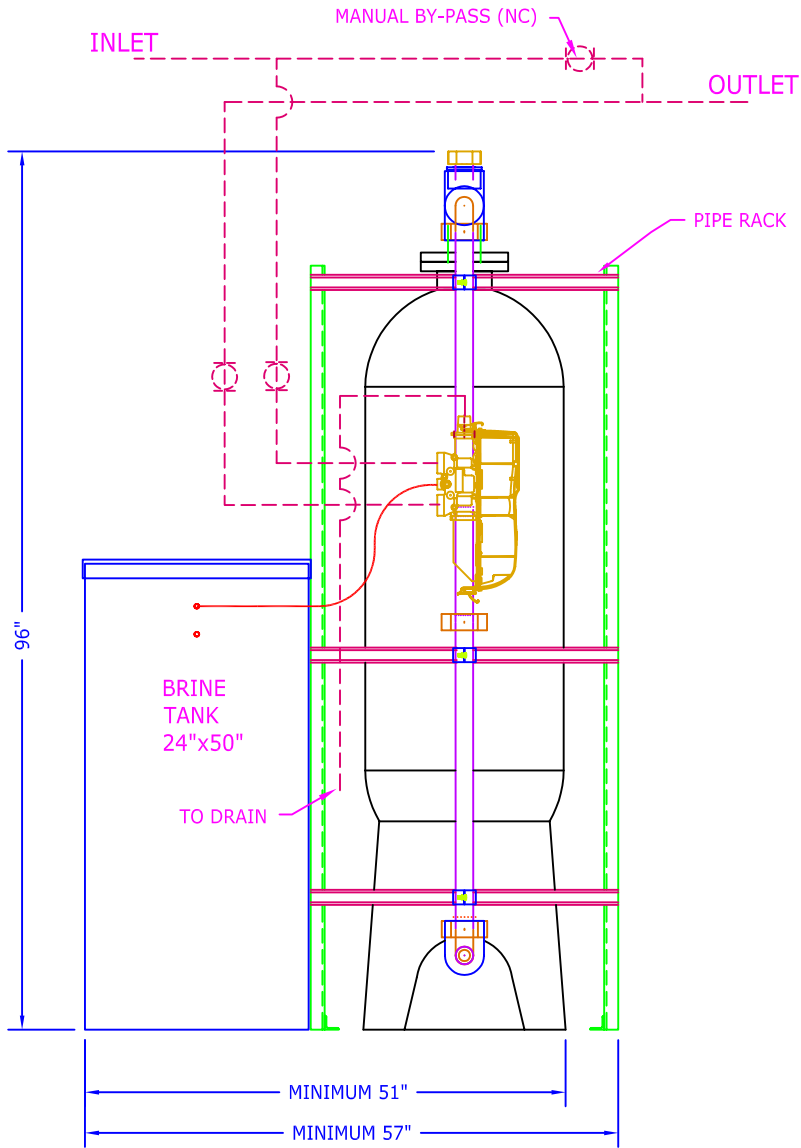
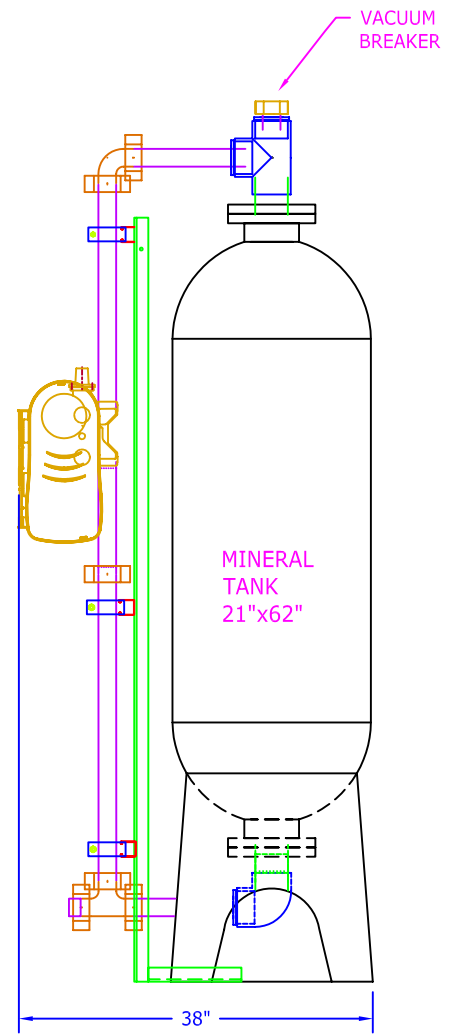


TOP VIEW



ELEVATION



RIGHT SIDE VIEW

- NOTES:
 1) PIPING SHOWN IN DASHED LINES TO BE SUPPLIED BY CUSTOMER.
 2) ALLOW 1 FOOT ABOVE TANKS FOR LOADING.

SHIPPING WEIGHT	860 Lbs.
OPERATING WEIGHT	

BY:	No.	REVISION	DATE	CK'D
RLR	0	SUBMITTAL FOR APPROVAL	11/15/2010	JEB



950180 MF-FG-180 SIMPLEX GENERAL ARRANGEMENT		
SCALE	DRAWING NUMBER	SHEET
N.T.S.	MF-FG-180	01 / 01
www.waterking.com		

J:\Drawings\catalog\WFMF-FG-180.dwg, 4/15/2011 2:18:30 PM, Adobe PDF, Letter, 1:20,6061, Water King Inc.