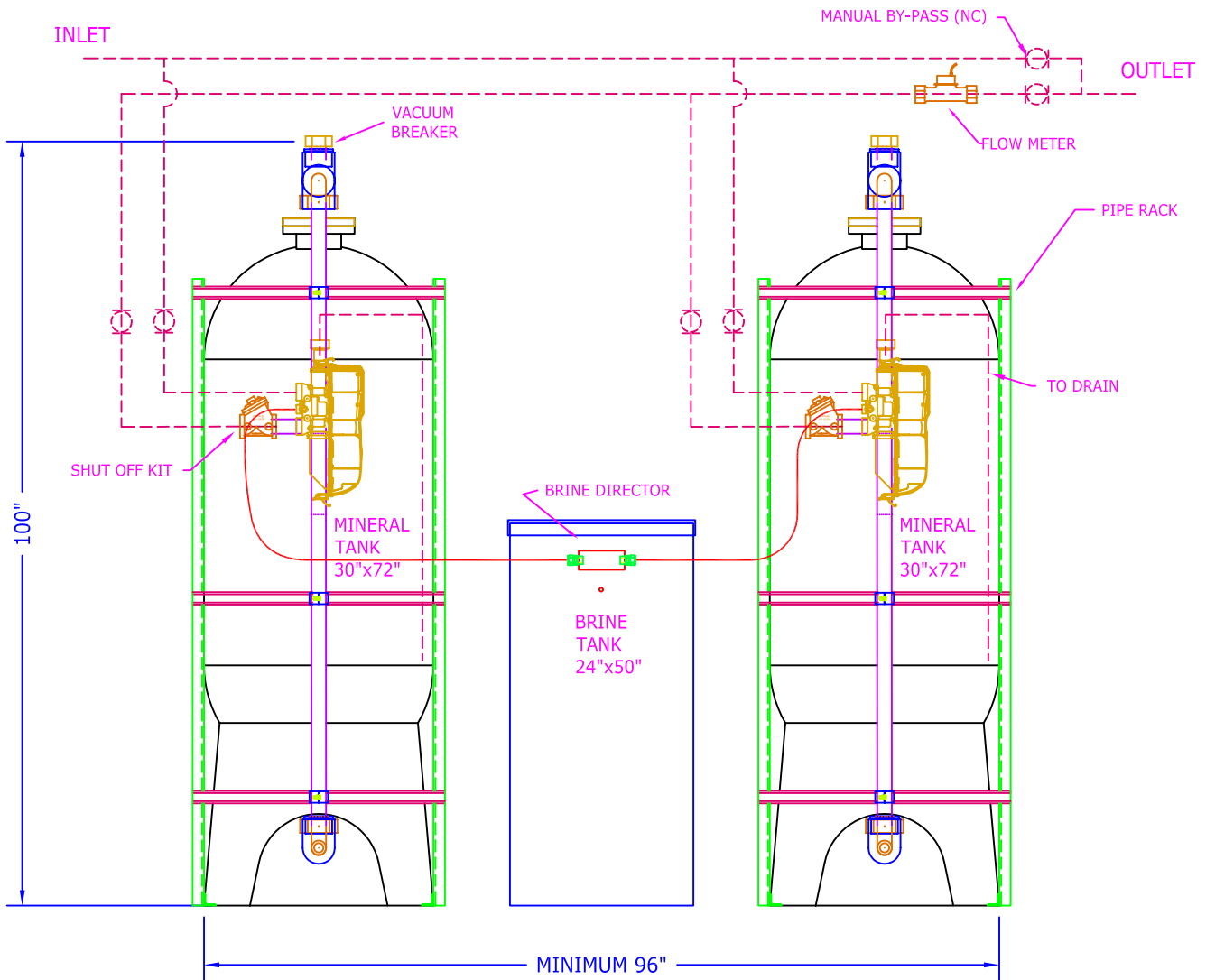


TOP VIEW



ELEVATION

- NOTES:
- 1) PIPING SHOWN IN DASHED LINES TO BE SUPPLIED BY CUSTOMER.
  - 2) ALLOW 1 FOOT ABOVE TANKS FOR LOADING.
  - 3) FLOW METER REQUIRES (15) PIPE DIAMETER LENGTHS BEFORE METER & (10) AFTER FOR PROPER OPERATION.
  - 4) FLOW METER SHOULD BE MOUNTED HORIZONTALLY.

|                  |           |
|------------------|-----------|
| SHIPPING WEIGHT  | 3100 Lbs. |
| OPERATING WEIGHT | 3600 Lbs. |

| BY: | No. | REVISION               | DATE       | CK'D |
|-----|-----|------------------------|------------|------|
| RLR | 0   | SUBMITTAL FOR APPROVAL | 11/16/2010 | JEB  |
|     |     |                        |            |      |
|     |     |                        |            |      |
|     |     |                        |            |      |

**Water King**

|   |                |         |
|---|----------------|---------|
| 950302-11<br>MF-FG-300-TA TWIN ALTERNATING<br>GENERAL ARRANGEMENT |                |         |
| SCALE   | DRAWING NUMBER | SHEET   |
| N.T.S.  | MF-FG-300T     | 01 / 01 |
| www.waterking.com   |                |         |