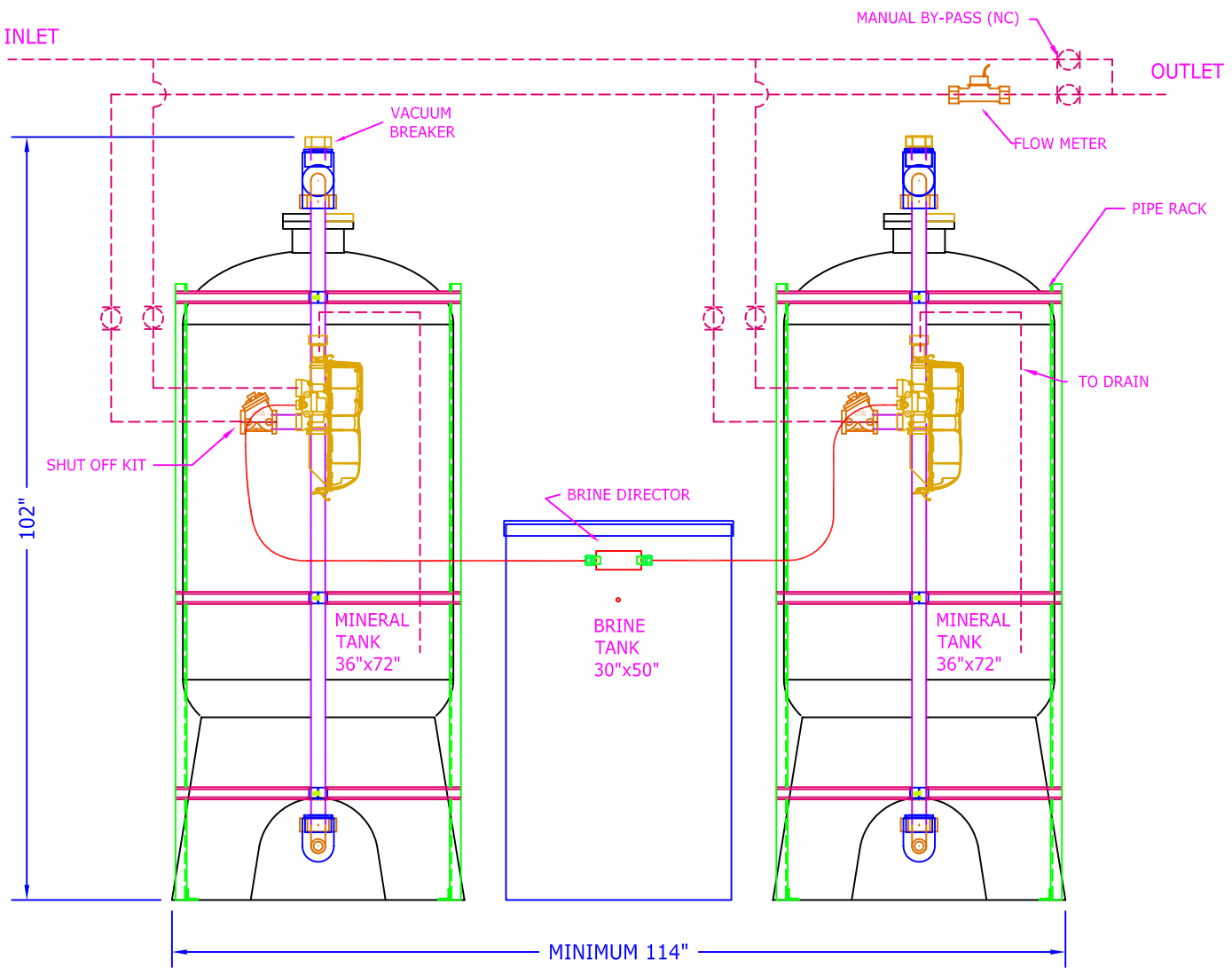


TOP VIEW



ELEVATION

- NOTES:
- 1) PIPING SHOWN IN DASHED LINES TO BE SUPPLIED BY CUSTOMER.
 - 2) ALLOW 1 FOOT ABOVE TANKS FOR LOADING.
 - 3) FLOW METER REQUIRES (15) PIPE DIAMETER LENGTHS BEFORE METER & (10) AFTER FOR PROPER OPERATION.
 - 4) FLOW METER SHOULD BE MOUNTED HORIZONTALLY.

SHIPPING WEIGHT	3554 Lbs.
OPERATING WEIGHT	3900 Lbs.

BY:	No.	REVISION	DATE	CK'D
RLR	0	SUBMITTAL FOR APPROVAL	11/16/2010	JEB



950452-11 MF-FG-450-TA TWIN ALTERNATING GENERAL ARRANGEMENT		
SCALE	DRAWING NUMBER	SHEET
N.T.S.	MF-FG-450T	01 / 01
www.waterking.com		

102 Charbonnet Rd., Duson, Louisiana, 70529, U.S.A.

Telephone: (337) 988-2360 * Fax: (337) 981-7922

J:\Drawings\catalog\MF-FG-450T.dwg, 4/21/2011 4:47:30 PM, Adobe PDF, Letter, 1:22.6667, Water King Inc.