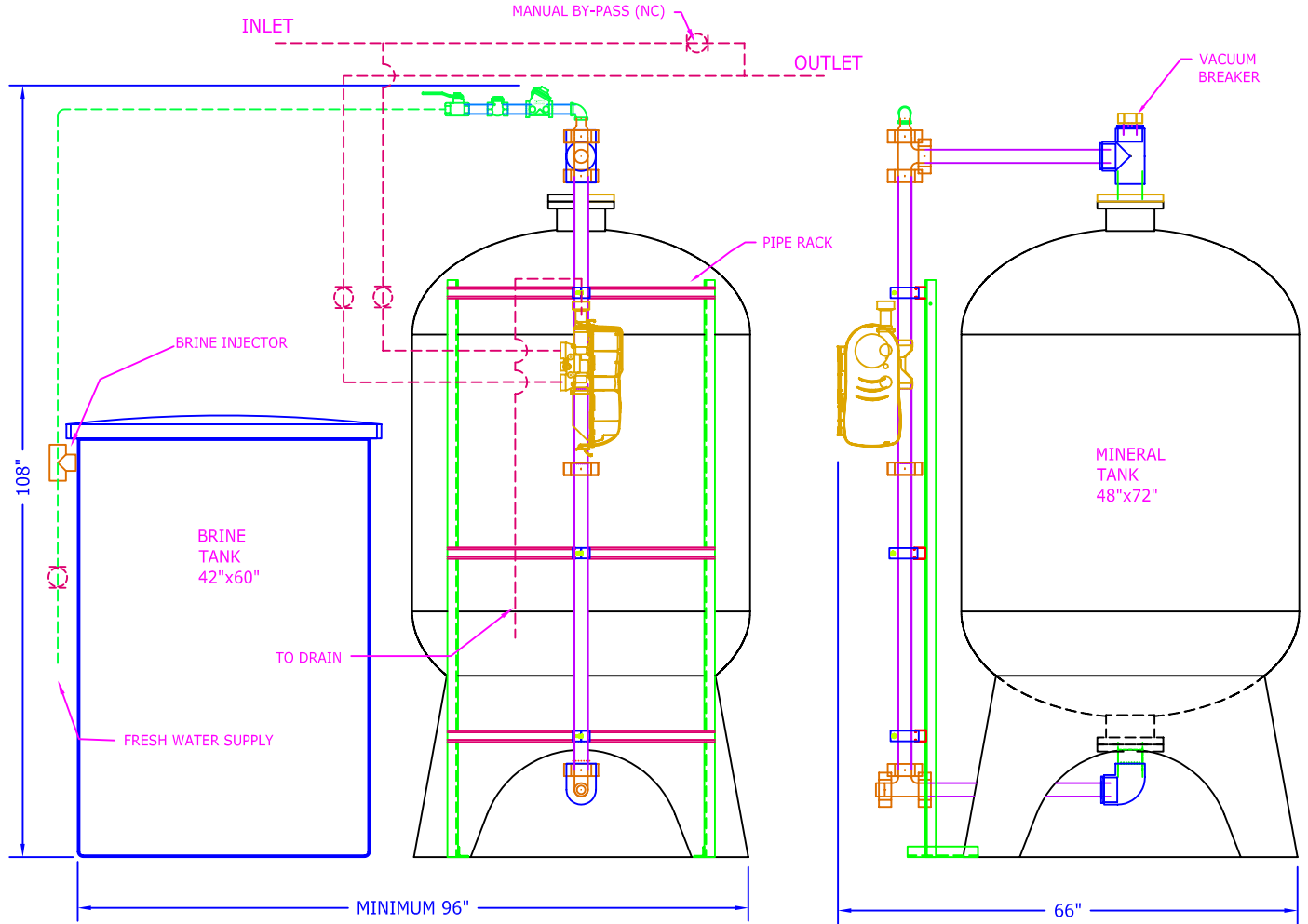


TOP VIEW



ELEVATION

RIGHT SIDE VIEW

- NOTES:
 1) PIPING SHOWN IN DASHED LINES TO BE SUPPLIED BY CUSTOMER.
 2) ALLOW 1 FOOT ABOVE TANKS FOR LOADING.

SHIPPING WEIGHT	3502 Lbs.
OPERATING WEIGHT	5500 Lbs.

BY:	No.	REVISION	DATE	CK'D
RLR	0	SUBMITTAL FOR APPROVAL	10/25/2010	JEB



950900 MF-FG-900 SIMPLEX GENERAL ARRANGEMENT		
SCALE	DRAWING NUMBER	SHEET
N.T.S.	MF-FG-900	01 / 01
www.waterking.com		

102 Charbonnet Rd., Duson, Louisiana, 70529, U.S.A.

Telephone: (337) 988-2360 * Fax: (337) 981-7922

J:\Drawings\catalog\MF\MF-FG-900.dwg, 5/4/2011 10:17:00 AM, Adobe PDF, Letter, 1:25,3866, Water King Inc.