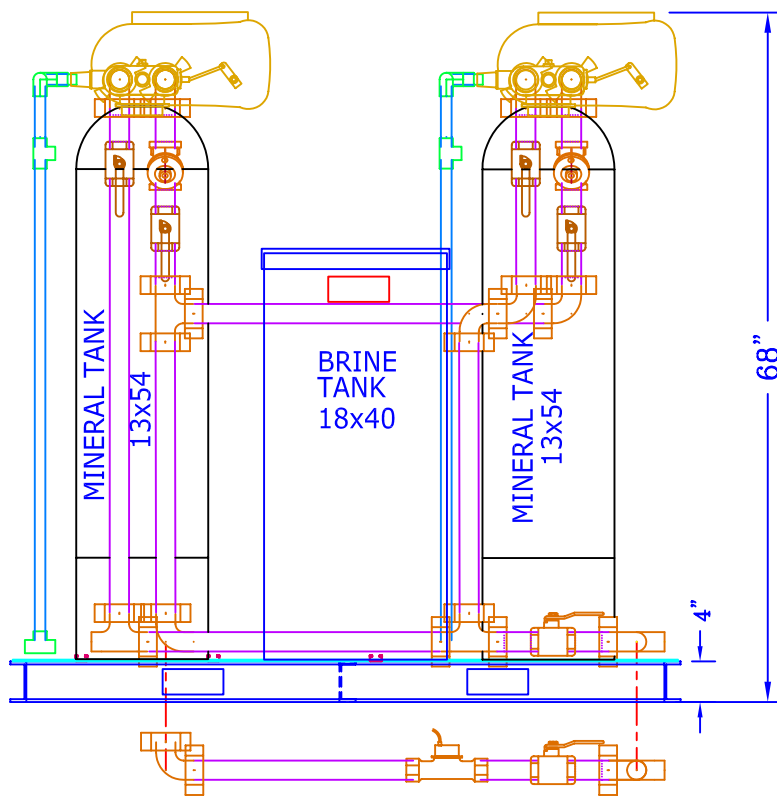


TOP VIEW



FRONT VIEW

SHIPPING WT.	Lbs.
OPERATING WT.	.Lbs.

J:\Drawings\catalog\RF-70-TA-Skid.dwg, 3/22/2011 11:55:02 AM, RaymondRichardson, Adobe PDF, Letter, 11.8.802, Water King Inc.

No.	REVISION	DATE	CK'D
0	PRELIMINARY	08/28/2008	
1	MINOR UPDATES AND CORRECTIONS	03/21/2011	

Water King
WATER CONDITIONING

910072-11A RF-70-TA-SKID SOFTENER GENERAL ARRANGEMENT / PIPING		
SCALE @ 24"x36"	DRAWING NUMBER	SHEET
N.T.S.	RF-70-TA-SKID	01 / 0 1
www.waterking.com		

102 Charbonnet Rd., Duson, Louisiana, U.S.A. 70529

Telephone: (337) 988-2360 * Fax: (337) 981-7922