


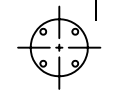
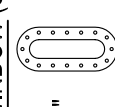
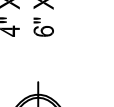
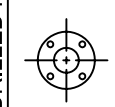
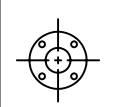
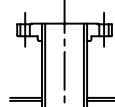
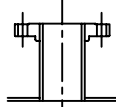
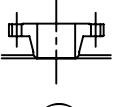


COMPANY: _____
 CONTACT: _____
 PHONE: _____
 FAX: _____
 QUANTITY: _____
 LEFT HAND/RIGHT HAND? _____
 PLEASE RETURN VIA FAX OR EMAIL

FULL COUPLING (FC)  _____ SS _____ CARBON
 HALF COUPLING (HC)  _____ SS _____ CARBON
 SPUD (SP)  _____ SS _____ CARBON
 BLIND FLANGE (BF)  _____ SS _____ CARBON

SIGHT WINDOW (SW)  _____ SS _____ CARBON
 3" X 12"
 HANDHOLE  _____ SS _____ CARBON
 4" X 6"
 6" X 8"

SINGLE DRILLED PAD FLANGE (SDPF)  _____ SS _____ CARBON
 DOUBLE DRILLED PAD FLANGE (DDPF)  _____ SS _____ CARBON
 FULL SPOOL (FS)  _____
 SS _____ CARBON _____ RAISED FACE _____ FLAT FACED _____
 HALF SPOOL (HS)  _____
 SS _____ CARBON _____ RAISED FACE _____ FLAT FACED _____
 WELD NECK FLANGE (WNF)  _____
 SS _____ CARBON _____ RAISED FACE _____ FLAT FACED _____

TANK SIZE
 DIAMETER _____
 SIDE SHELL HEIGHT _____
 OVER ALL HEIGHT (IF REQ'D) _____
 WORKING PRESSURE _____
 100 PSI _____
 125 PSI _____
 150 PSI _____
 OTHER _____ PSI _____
 CODE REQUIREMENTS
 NON CODE _____
 NON CODE W/ HYDRO TEST REQ'D _____
 CODE _____
 TANK LINING (INTERIOR)
 STANDARD EPOXY _____
 PREP FOR RUBBER _____
 PREP FOR VINYL ESTER _____
 OTHER _____
 NSF LINING REQ'D. YES / NO _____
 TANK COATING (EXTERIOR)
 EPOXY _____
 STANDARD PRIME COAT _____
 OTHER _____
 TANK LEGS
 ANGLE LEGS _____
 STRAP LEGS _____
 BEAM LEGS _____
 JACK PADS _____
 PIPE LEGS _____
 RING BASE _____
 MOUNTING CLIPS _____
 INTERIOR - # C.S. _____ S.S. _____
 EXTERIOR - # C.S. _____ S.S. _____
 SPECIAL REQUIREMENTS _____
 LIFT LUGS _____
 FALSE BOTTOM _____
 DISTRIBUTOR PLATE _____
 NUMBER OF HOLES _____
 SIZE OF HOLES THREADED _____
 HEAD SHAPE _____
 CODE SHAPE F & D _____
 SEMI-ELLIP _____

MANHOLE
 11" X 15"
 12" X 16"
 14" X 18"
 18" X 24"

PRICE: \$ _____ EACH
 WRAP / SKID: _____ EACH
 WEIGHT: _____ LBS/EACH
 CAN SHIP IN: _____ WEEKS AFTER DWG APPROVAL

SCHEDULE OF OPENINGS

MARK	SIZE	TYPE	SERVICE
A			
B			
C			
D			
E			
F			
G			
H			

NOTES:
 1. STRAP LEGS CAN BE USED THRU Ø42". TYPE OF LEGS MUST BE SPECIFIED.
 2. FILL IN THE SCHEDULE OF OPENINGS AND MARK THEIR APPROXIMATE LOCATION ON THE DRAWING. NOTE ANY STAINLESS OPENINGS. ALL REQUIRED SPECIFICATIONS MUST BE MARKED TO INSURE A PROPER QUOTATION.

