

# Water King

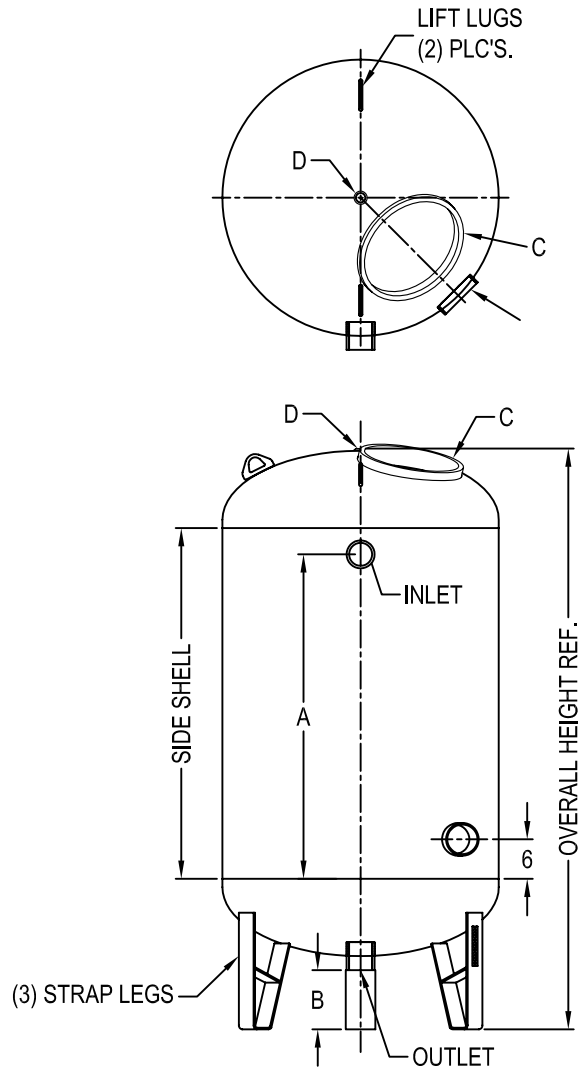
Water King, Inc.

102 Charbonnet Rd., Duson, Louisiana, U.S.A. 70529

Telephone: (337) 988-2360 \* Fax: (337) 981-7922

www.waterking.com

**ASME CODE WATER TREATMENT TANKS  
EPOXY LINED & FINISH COATED IN WHITE EPOXY  
NSF/ANSI STANDARD 61 CERTIFIED LINING  
100 PSIG WORKING PRESSURE**



DIMENSIONAL CHART							
DIAMETER	SIDE SHELL	A	B	INLET/OUTLET	C	D	OAH
20"	54"	50"	6"	2" NPT	4" X 6"	1" NPT	73"
	60"	55-3/4"					79"
24"	54"	50"	6"	2" NPT	4" X 6"	1" NPT	75"
	60"	55-3/4"					81"
30"	54"	50"	6"	2" NPT	4" X 6"	1" NPT	79"
	60"	55-3/4"					84"
36"	60"	55-3/4"	9"	3" NPT	12" X 16"	1" NPT	94"
	72"	67-3/4"					105"
42"	60"	55-3/4"	9"	3" NPT	12" X 16"	1" NPT	95"
	72"	67-3/4"					106"