

Water King

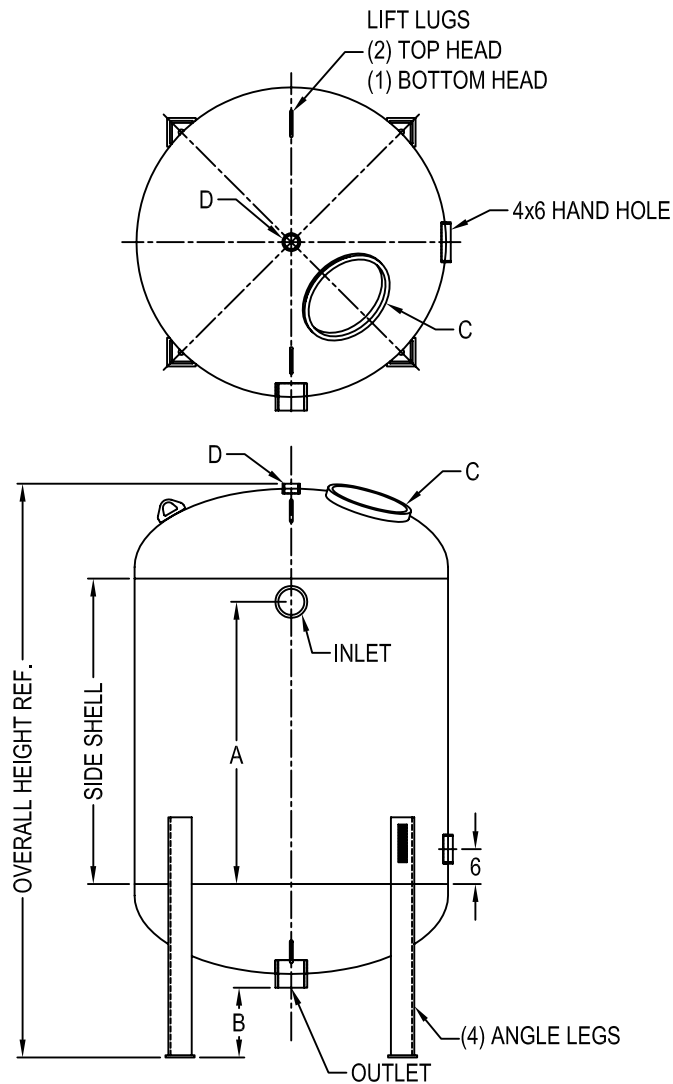
Water King, Inc.

102 Charbonnet Rd., Duson, Louisiana, U.S.A. 70529

Telephone: (337) 988-2360 * Fax: (337) 981-7922

www.waterking.com

**ASME CODE WATER TREATMENT TANKS
EPOXY LINED & FINISH COATED IN WHITE EPOXY
NSF/ANSI STANDARD 61 CERTIFIED LINING
100 PSIG WORKING PRESSURE**



DIMENSIONAL CHART							
DIAMETER	SIDE SHELL	A	B	INLET/OUTLET	C	D	OAH
48"	60"	55-3/4"	12"	4" NPT	12" X 16"	2" NPT	102"
	72"	67-3/4"					114"
54"	60"	55-3/4"	12"	4" NPT	12" X 16"	2" NPT	106"
	72"	67-3/4"					118"
60"	60"	55-3/4"	12"	4" NPT	12" X 16"	2" NPT	109"
	72"	67-3/4"					121"
66"	60"	55-3/4"	12"	4" NPT	12" X 16"	2" NPT	112"
	72"	67-3/4"					124"
72"	60"	55-3/4"	12"	4" NPT	12" X 16"	2" NPT	115"
	72"	67-3/4"					127"