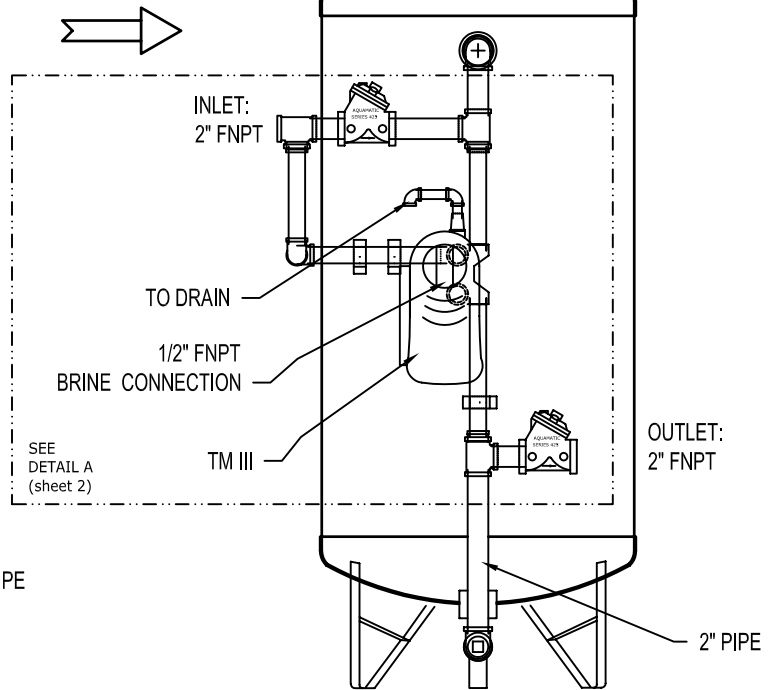
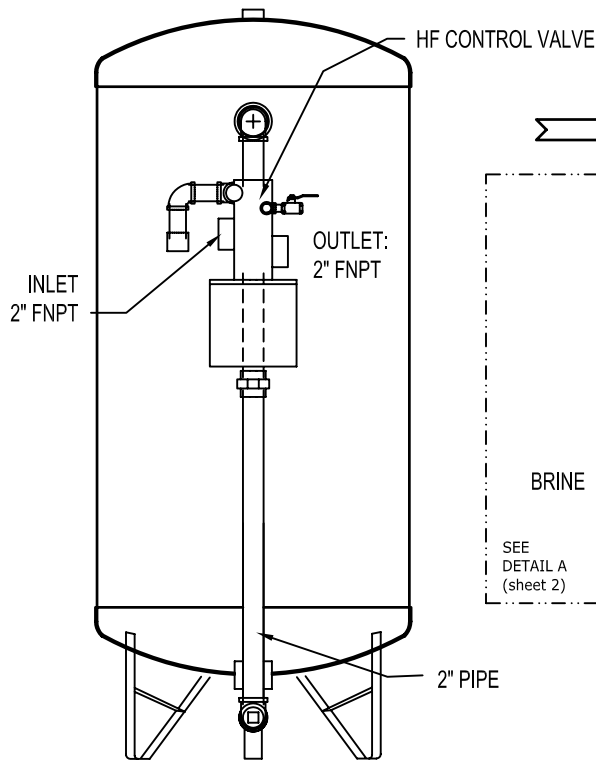
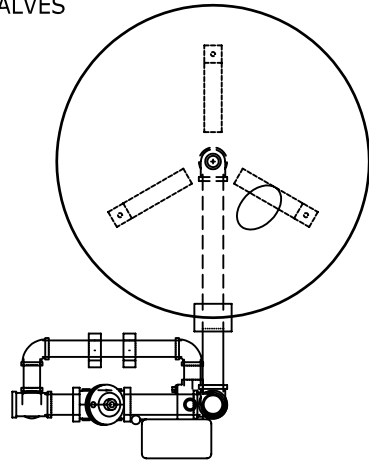
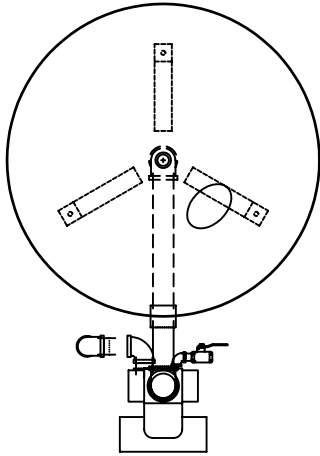


UPGRADE:
 HF-2" TO
 MF-2" SUPER FLOW PIPING
 NPT PIPING
 WITH 2" AQUAMATIC VALVES



BEFORE

AFTER

BY:	No.	REVISION	DATE	CK'D
	0	PRELIMINARY	06/11/2009	



WATER KING
 HF to MF-2" NPT UPGRADE
 PIPING / GENERAL ARRANGEMENT

SCALE @ 24"x36"	DRAWING NUMBER	SHEET
N.T.S.	HF-MF-2NPT UPGRADE	01 / 03