

TOP VIEW

INLET

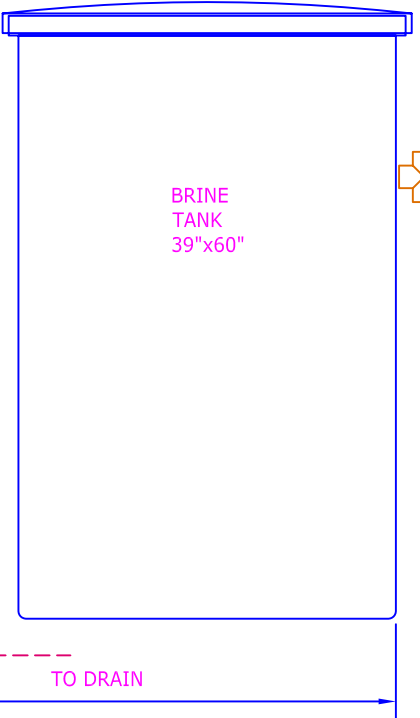
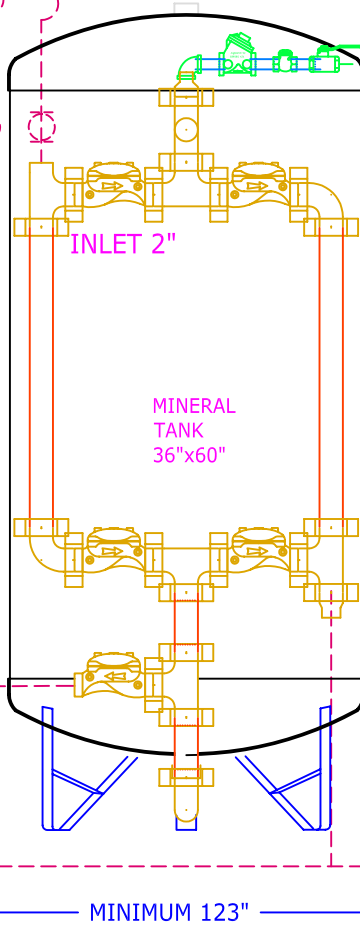
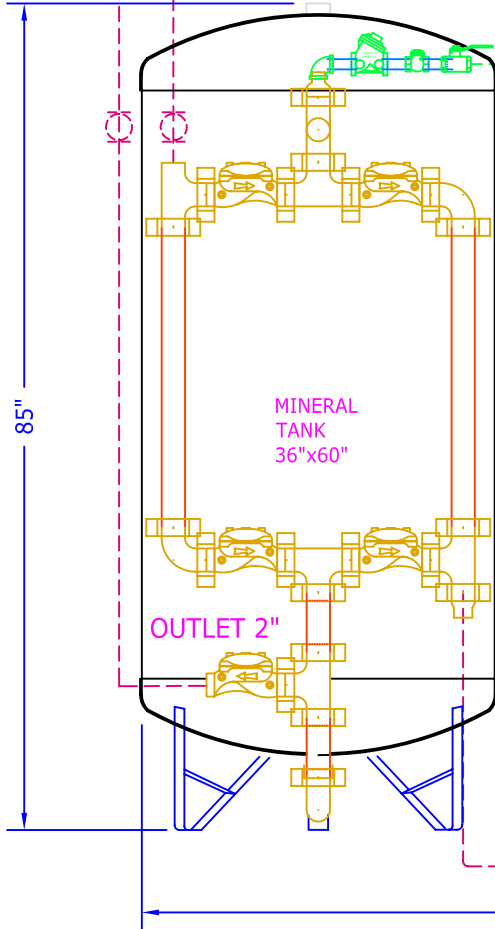
MANUAL BY-PASS (NC)

CONTROLLER / STAGER FOR DIAPHRAGM VALVES

OUTLET

FLOW METER

BRINE INJECTOR



MINIMUM 123"

TO DRAIN

ELEVATION

FRESH WATER SUPPLY

NOTES:

- 1) PIPING SHOWN IN DASHED LINES TO BE SUPPLIED BY CUSTOMER.
- 2) ALLOW 1 FOOT ABOVE TANKS FOR LOADING.
- 3) FLOW METER REQUIRES (15) PIPE DIAMETER LENGTHS BEFORE METER & (10) AFTER FOR PROPER OPERATION.
- 4) FLOW METER SHOULD BE MOUNTED HORIZONTALLY.

|                  |           |
|------------------|-----------|
| SHIPPING WEIGHT  | 4689 Lbs. |
| OPERATING WEIGHT |           |

| BY: | No. | REVISION               | DATE       | CK'D |
|-----|-----|------------------------|------------|------|
| RLR | 0   | SUBMITTAL FOR APPROVAL | 06/01/2011 | JEB  |
|     |     |                        |            |      |
|     |     |                        |            |      |
|     |     |                        |            |      |

**Water King**

933580-11  
VN-600 TWIN ALTERNATING SOFTENER  
GENERAL ARRANGEMENT

|        |                |         |
|--------|----------------|---------|
| SCALE  | DRAWING NUMBER | SHEET   |
| N.T.S. | VN-600-2-TA    | 01 / 01 |

102 Charbonnet Rd., Duson, Louisiana, 70529, U.S.A.

Telephone: (337) 988-2360 \* Fax: (337) 981-7922

www.waterking.com