

TOP VIEW

CONTROLLER / STAGER FOR DIAPHRAGM VALVES

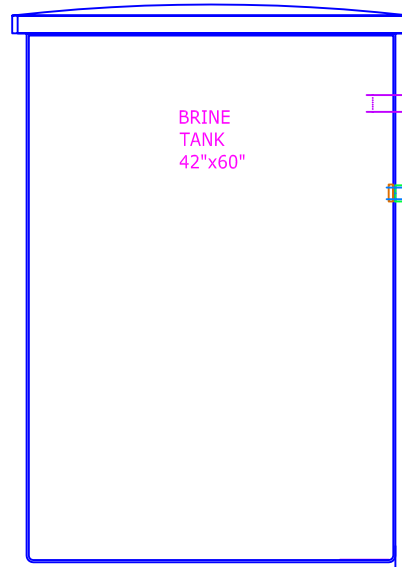
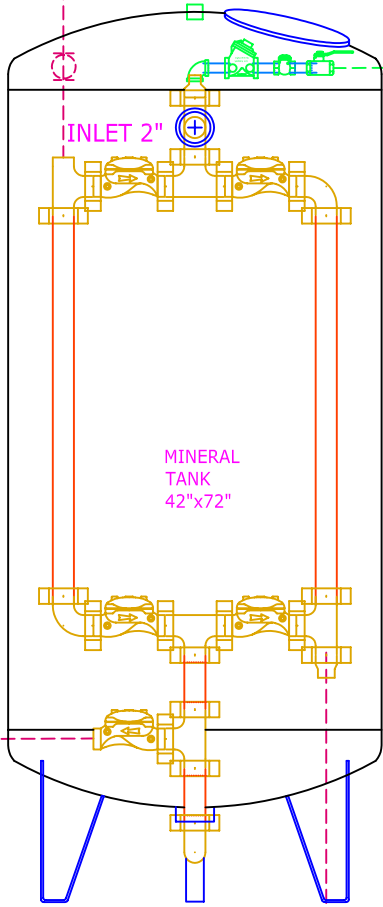
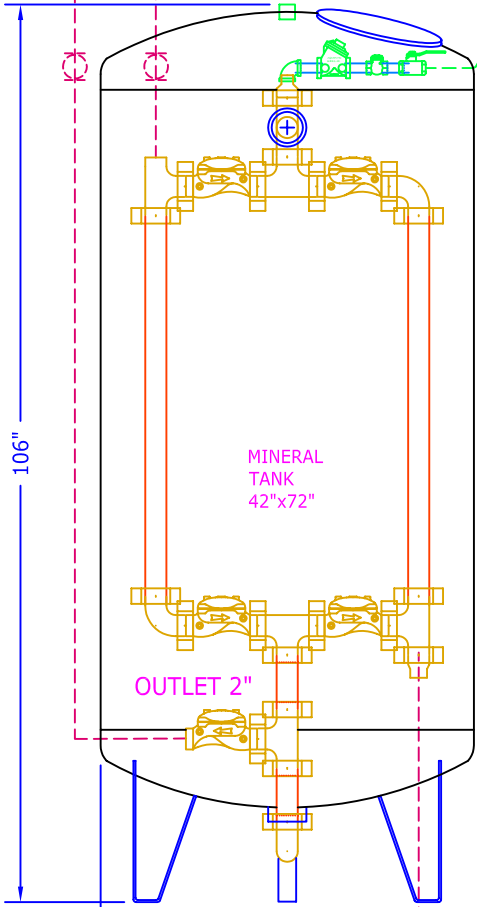
INLET

MANUAL BY-PASS (NC)

OUTLET

FLOW METER

BRINE INJECTOR



106"

MINIMUM 138"

TO DRAIN

FRESH WATER SUPPLY

ELEVATION

- NOTES:
- 1) PIPING SHOWN IN DASHED LINES TO BE SUPPLIED BY CUSTOMER.
 - 2) ALLOW 1 FOOT ABOVE TANKS FOR LOADING.
 - 3) FLOW METER REQUIRES (15) PIPE DIAMETER LENGTHS BEFORE METER & (10) AFTER FOR PROPER OPERATION.
 - 4) FLOW METER SHOULD BE MOUNTED HORIZONTALLY.

SHIPPING WEIGHT	6629 Lbs.
OPERATING WEIGHT	

BY:	No.	REVISION	DATE	CK'D
RLR	0	SUBMITTAL FOR APPROVAL	06/01/2011	JEB



933584-11
VN-900 TWIN ALTERNATING SOFTENER
GENERAL ARRANGEMENT

SCALE	DRAWING NUMBER	SHEET
N.T.S.	VN-900-2-TA	01 / 01

102 Charbonnet Rd., Duson, Louisiana, 70529, U.S.A.

Telephone: (337) 988-2360 * Fax: (337) 981-7922

www.waterking.com