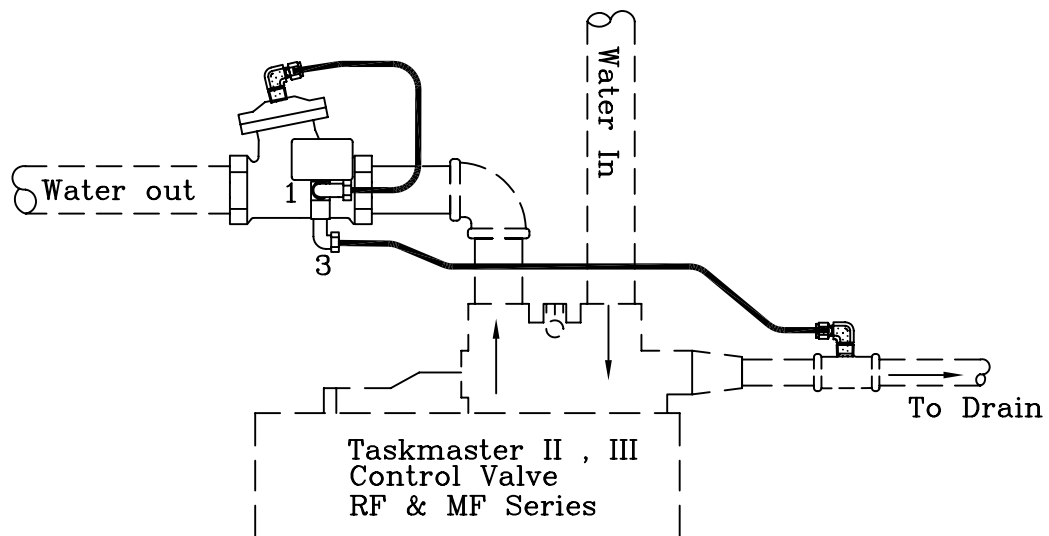
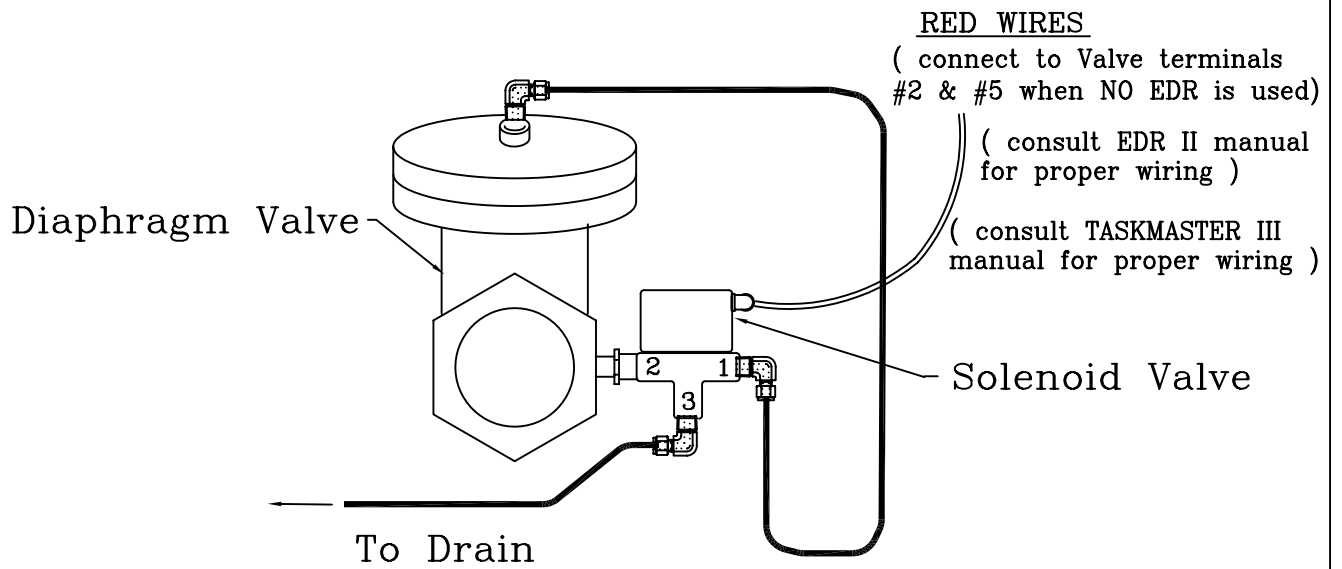
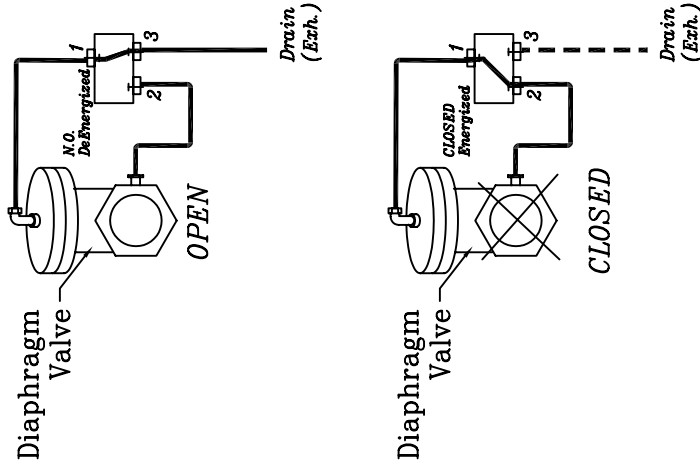
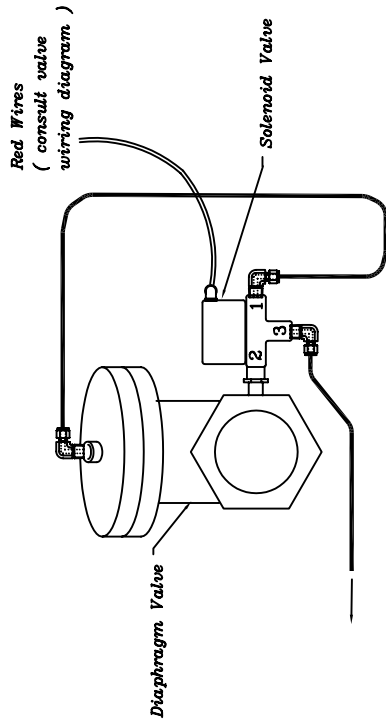


RF, MF VALVE SHUT-OFF KIT INSTALLATION GUIDE

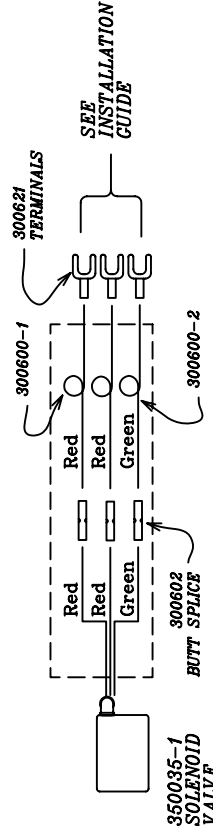




	DIAPHRAGM VALVE	CLOSE NIPPLE	KIT PART #
1-1/2"	320106	410175	720088
2"	320174	410193	720089
2-1/2"	320136	410208	720090
702086 SOLENOID WIRING KIT			

PURPOSE:

The Shut Off Kit prevents hard water bypass during regeneration and holds unit in Stand By on twin alternating units



RUN WIRES THROUGH CONDUIT (506602)
CONNECT WITH CONDUIT CONNECTORS (50669-1)

Shut Off Kit

Lit.# 900975

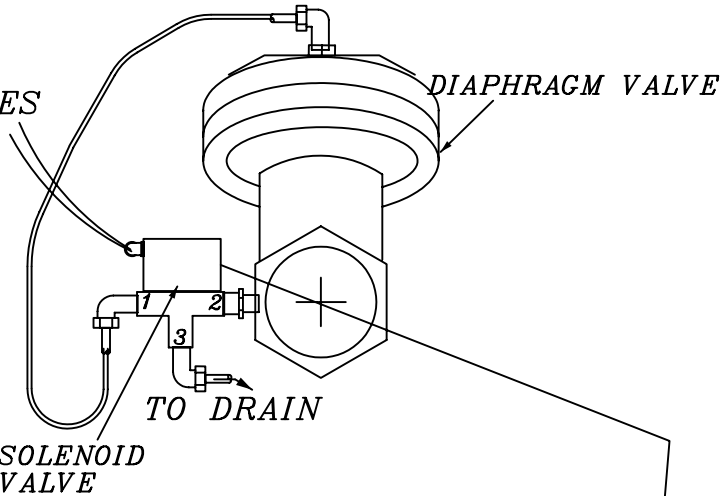
03/29/2005

HF VALVE SHUT-OFF KIT INSTALLATION GUIDE

(connect to Valve terminals
#2 & #5 when NO EDR is used)

(consult EDR II manual
for proper wiring)

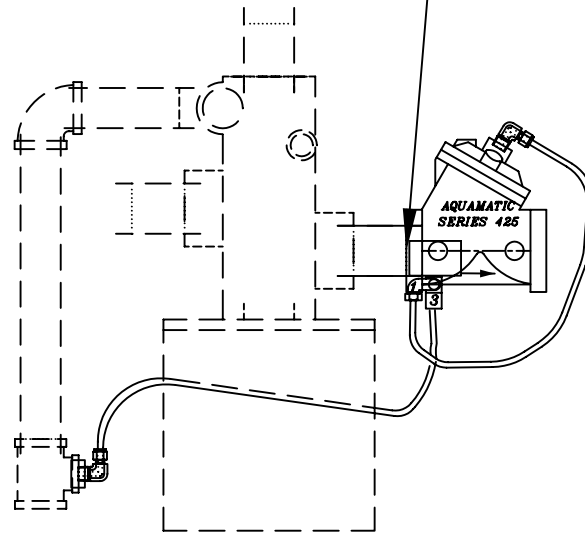
RED WIRES



Locate on valve or pipe having
highest constant pressure.

INLET

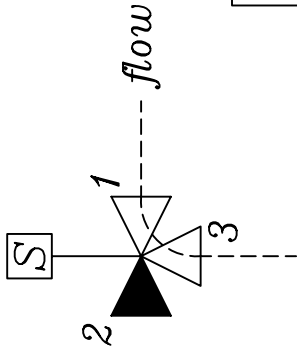
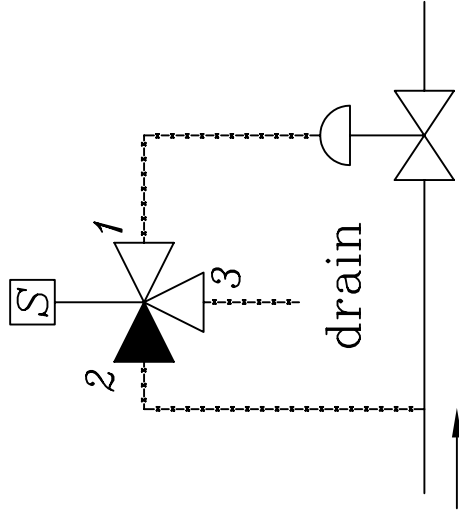
Drain



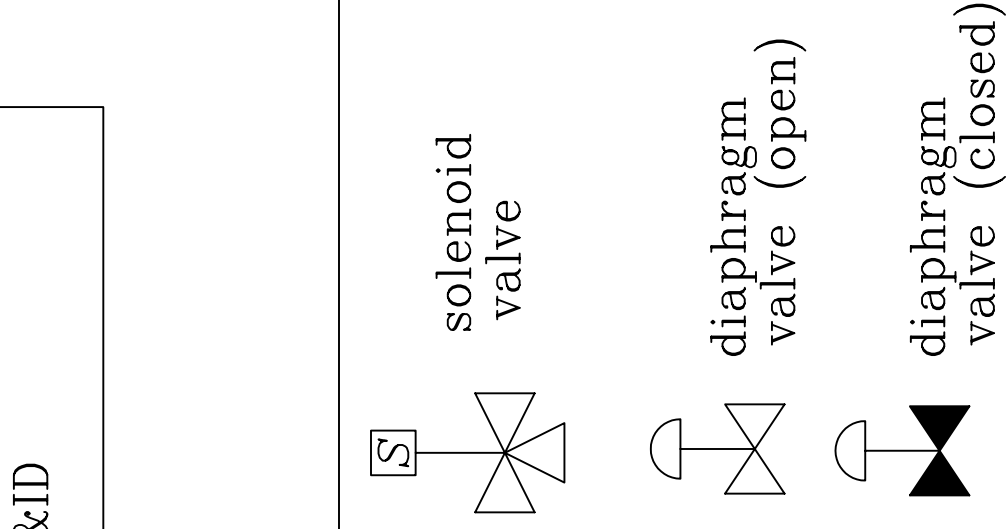
OUTLET

TaskMaster II
control valve
HF SERIES

DE-ENERGIZED / SERVICE



"SHUT-OFF KIT"
P&ID



ENERGIZED
STAND-BY / REGENERATION

