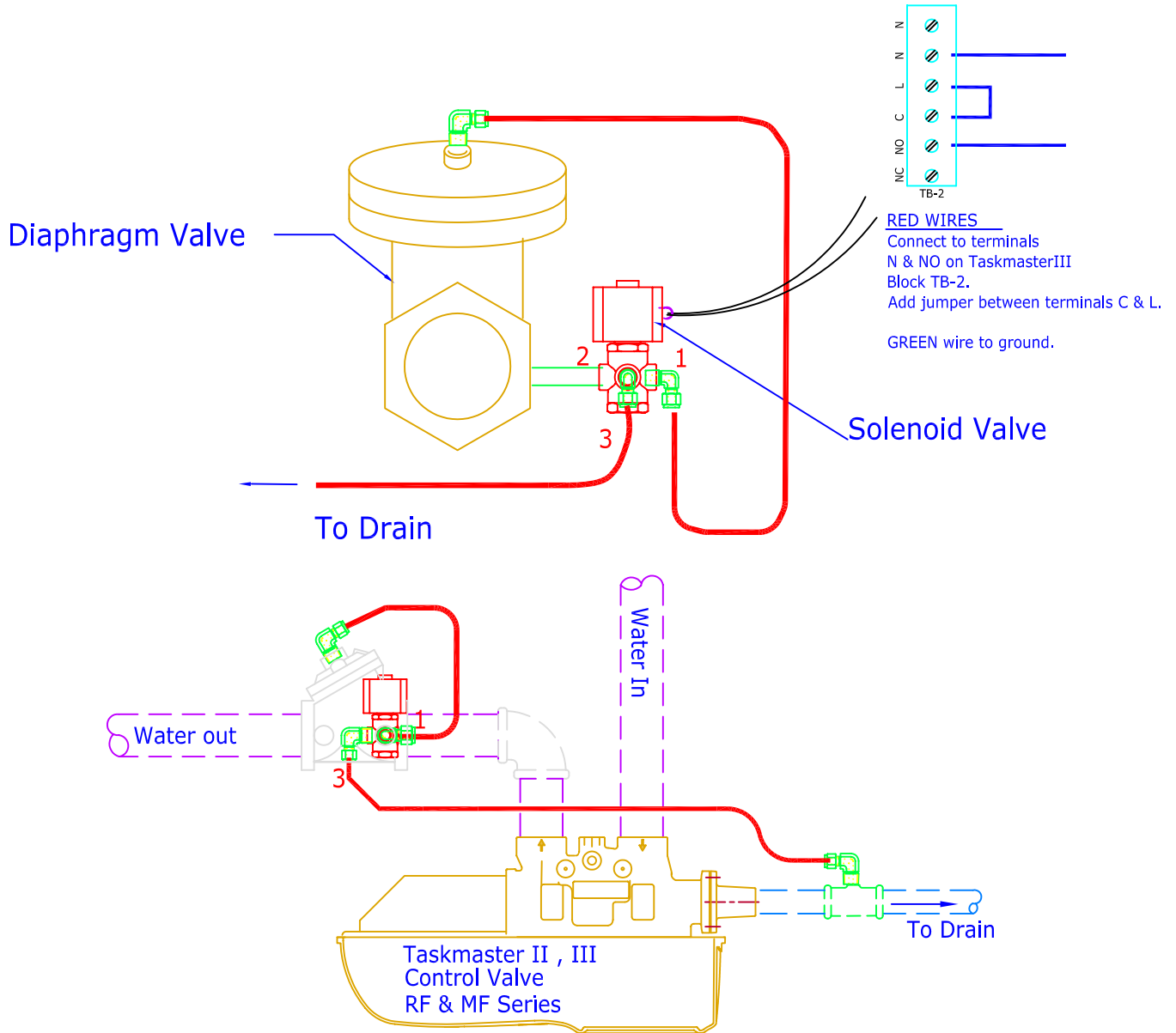


RF, MF VALVE SHUT-OFF KIT INSTALLATION GUIDE



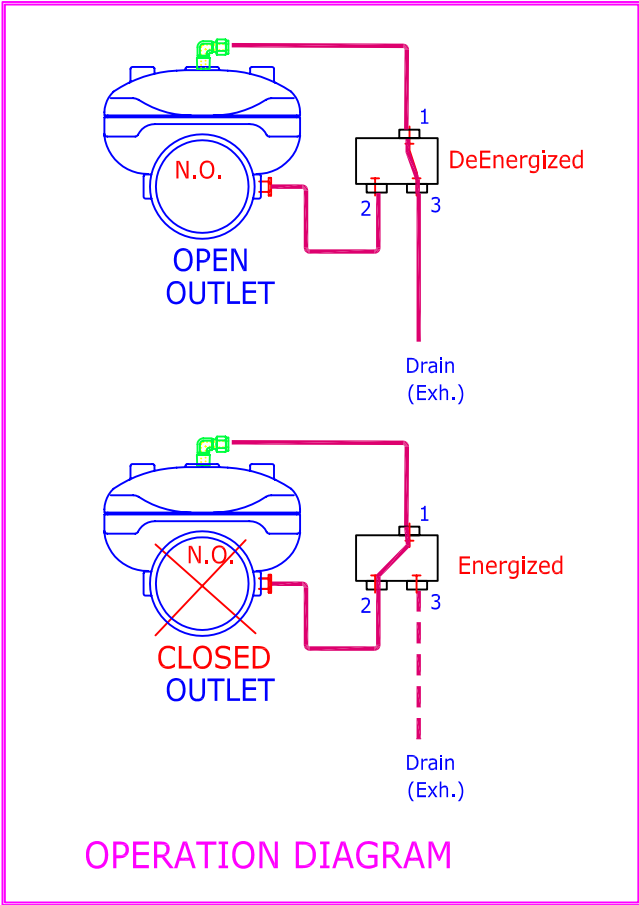
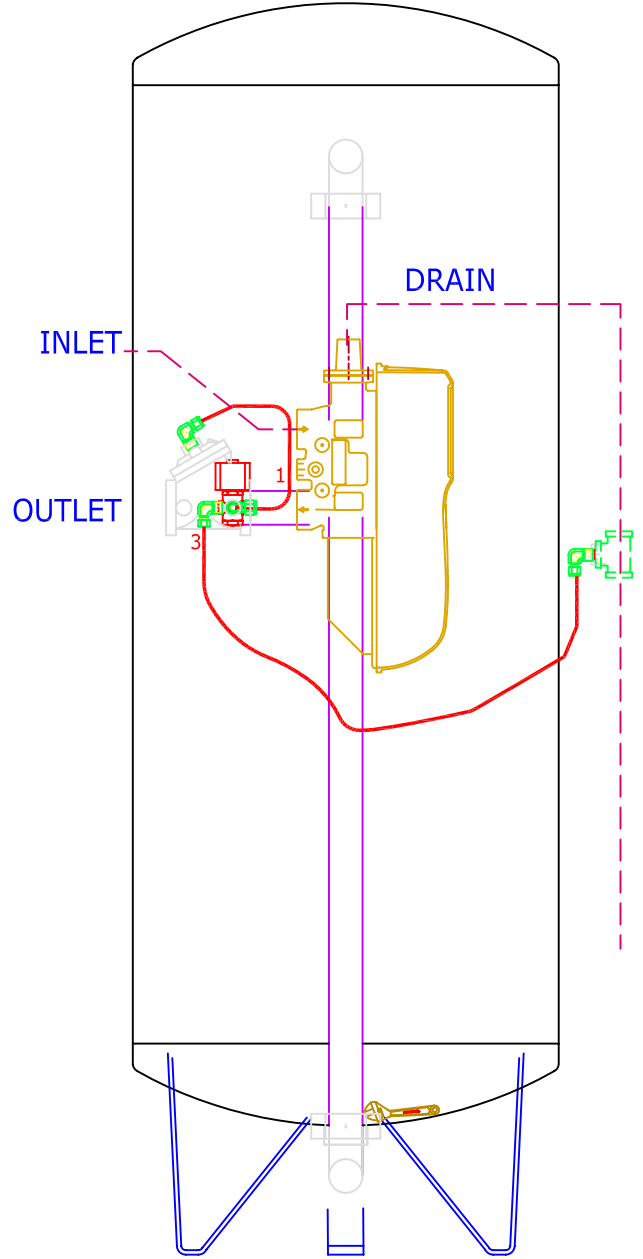
SHUT - OFF KITS (SOK) Includes N.O. Diaphragm Valve,
Solenoid Valve, Tubing, and Fittings

Shut off Kit (RF) (DM 150 valve) 1½" 720087
 Shut off kit (MF) (DM 150 valve) 1½" 720088
 Shut off kit (RF or MF) (DM 200 valve) 2" 720089

A shut off kit provides a valve to shut off the outlet of the system during regeneration. A shut off kit prevents hard water bypass. It is included in "twin alternating" systems and is optional on "twin" systems.

LITERATURE # 900975

SHEET 01/04



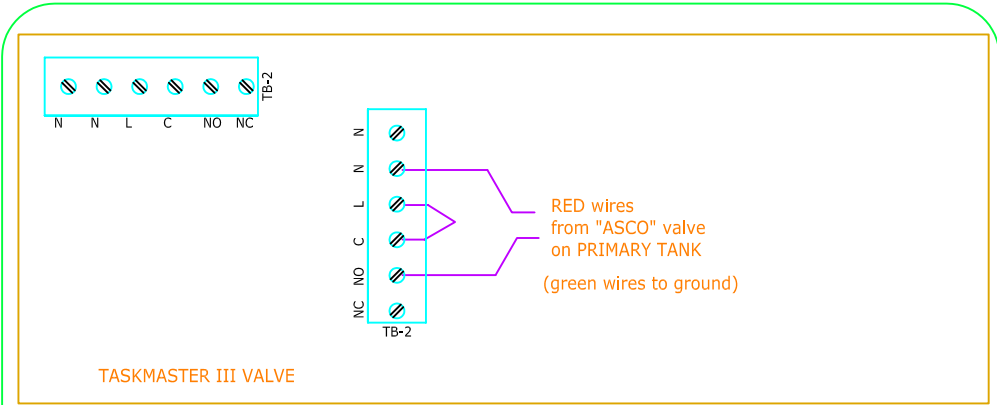
I:\Drawings\Literature\O.K\900975 SOK RFMF.dwg, 1/23/2012 2:11:23 PM, Adobe PDF
 Letter, 1:1(8.183) Water King Inc.

No.	REVISION	DATE	ck'd
0	PRELIMINARY	09/25/2009	
1	REVISED	05/11/2010	
2	UPDATED	11/21/2011	

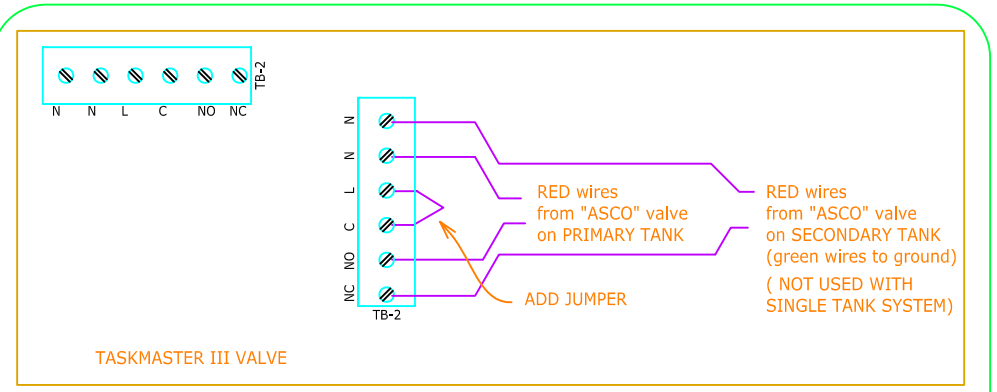
Water King

102 Charbonnet Rd., Duson, Louisiana, 70529 U.S.A.
 Telephone: (337) 988-2360 * Fax: (337) 981-7922

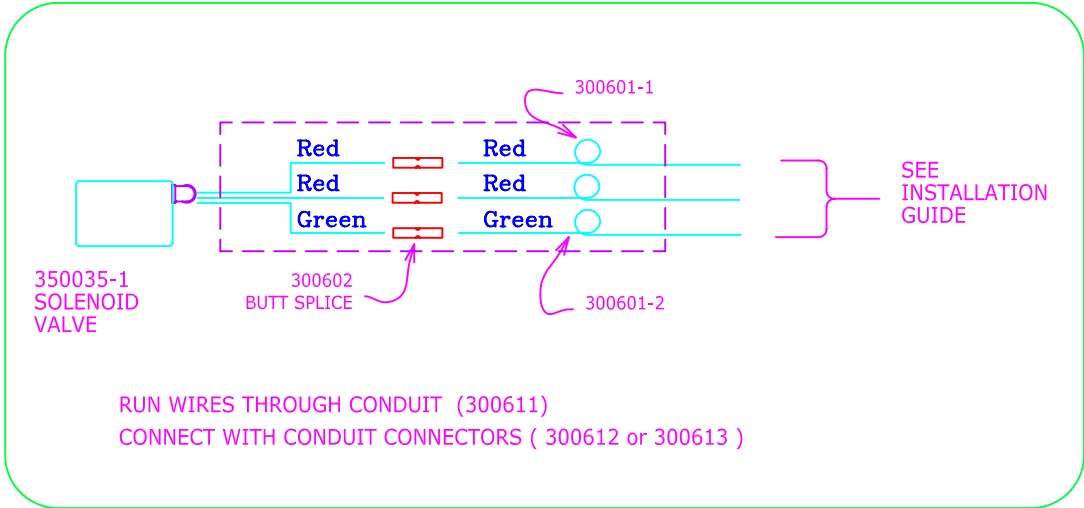
RF-MF SERIES TASKMASTER III SHUT OFF KIT INSTALLATION GUIDE		
SCALE @ 24"x36"	DRAWING NUMBER	SHEET
N.T.S.	900975 SOK RF MF	02 /04
www.waterking.com		



TASKMASTER III WIRING DIAGRAM
SHUTOFF KIT (non-alternating)



TASKMASTER III WIRING DIAGRAM
TWIN ALTERNATING SHUTOFF KIT
OR SUPER FLOW KIT



J:\Drawings\Literature\ISO\K1900975 SOK RFMF.dwg, 1/23/2012 2:12:37 PM, Adobe PDF
Letter, 11/03/2009, Water King Inc.

No.	REVISION	DATE	CKD
0	PRELIMINARY	09/25/2009	.
1	REVISED	05/11/2010	.
2	UPDATED	11/21/2011	.

Water King

RF-MF SERIES TASKMASTER III
SHUT OFF KIT
INSTALLATION GUIDE

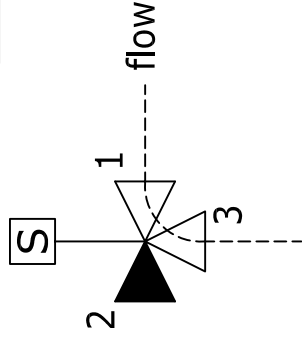
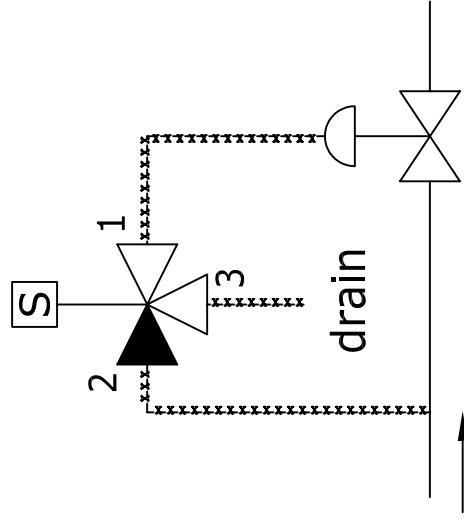
SCALE @ 24"x36"	DRAWING NUMBER	SHEET
N.T.S.	900975 SOK RF MF	03/04

102 Charbonnet Rd., Duson, Louisiana, 70529 U.S.A.

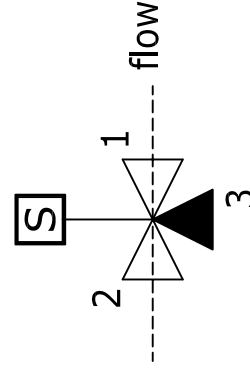
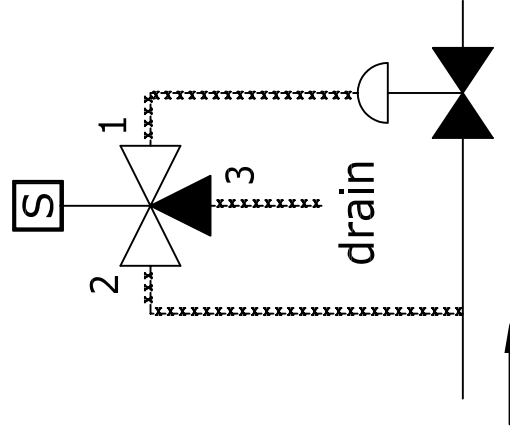
Telephone: (337) 988-2360 * Fax: (337) 981-7922

www.waterking.com

DE-ENERGIZED / SERVICE



ENERGIZED STAND-BY / REGENERATION



"SHUT-OFF KIT" P&ID

