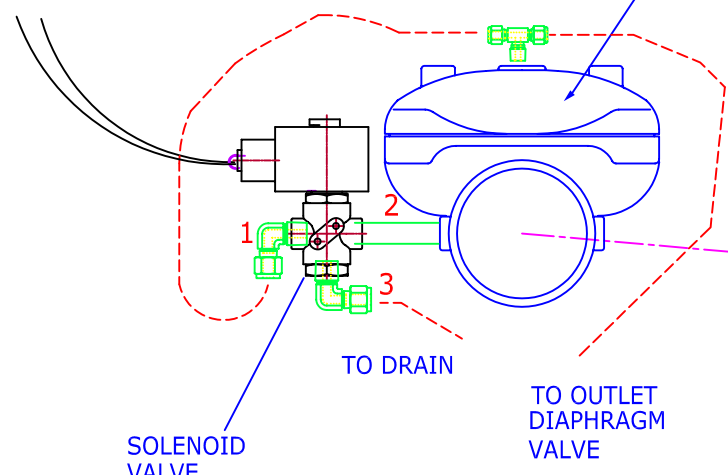


**RED WIRES**  
 Connect to terminals  
 N & NO on Taskmaster III  
 Block TB-2.  
 Add jumper between terminals C & L.

**GREEN wire to ground.**

**DIAPHRAGM VALVE**  
 (DMB or DM SERIES)

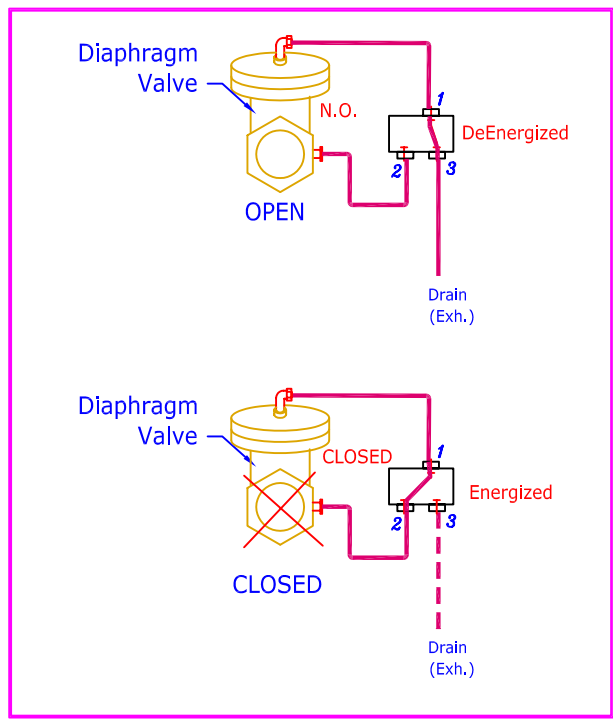
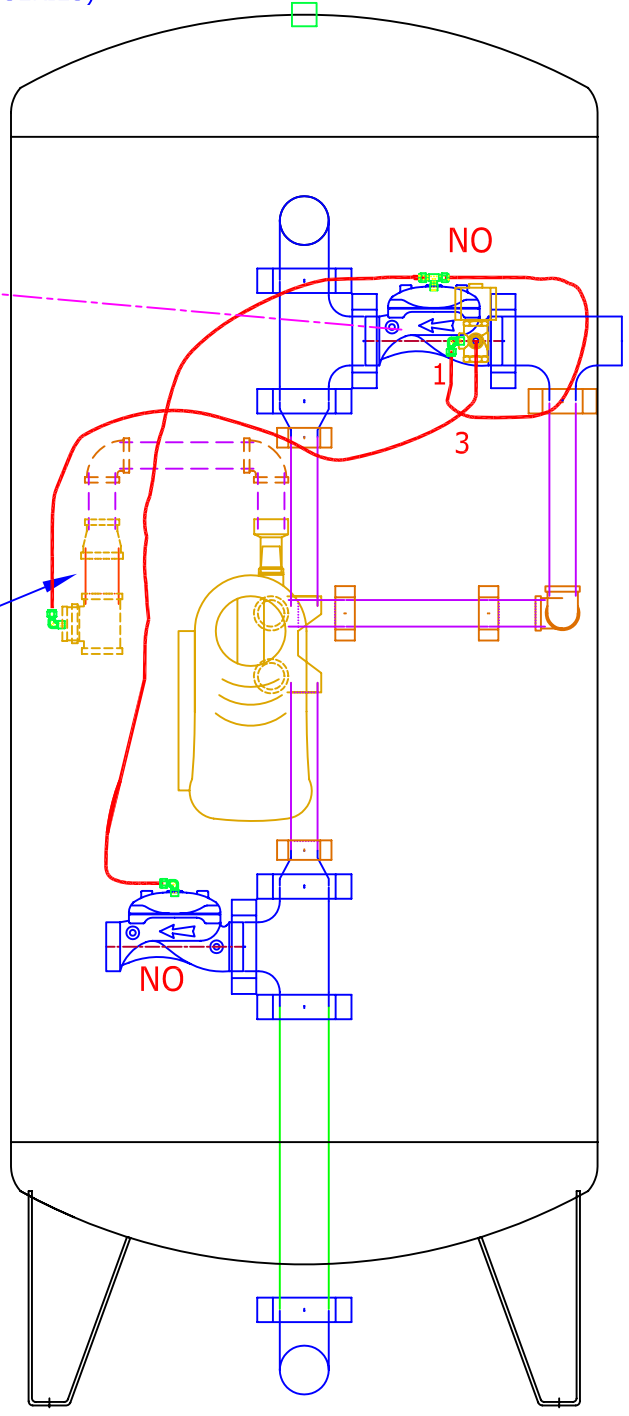


**SOLENOID VALVE**  
 Locate on valve having highest constant pressure.

TO DRAIN

TO OUTLET  
 DIAPHRAGM VALVE

EXTERNAL  
 FLOW CONTROL  
 (IF USED)



LITERATURE # 900975-3

BY:	No.	REVISION	DATE	CK'D
.	0	PRELIMINARY	09/25/2009	.
.	.	.	.	.
.	.	.	.	.
.	.	.	.	.



MF SUPER FLOW SHUTOFF KIT TASKMASTER III VALVE TUBING DIAGRAM		
SCALE @ 24"x36"	DRAWING NUMBER	SHEET
N.T.S.	900975-3	01 / 0 1
www.waterking.com		

102 Charbonnet Rd., Duson, Louisiana, U.S.A. 70529

Telephone: (337) 988-2360 \* Fax: (337) 981-7922

C:\CATALOG\900975-3 - Literature TMIII SOK superFlow.dwg, 10/6/2009 2:16:39 PM, Adobe PDF, Letter 11.25x17.00, Water King, Inc