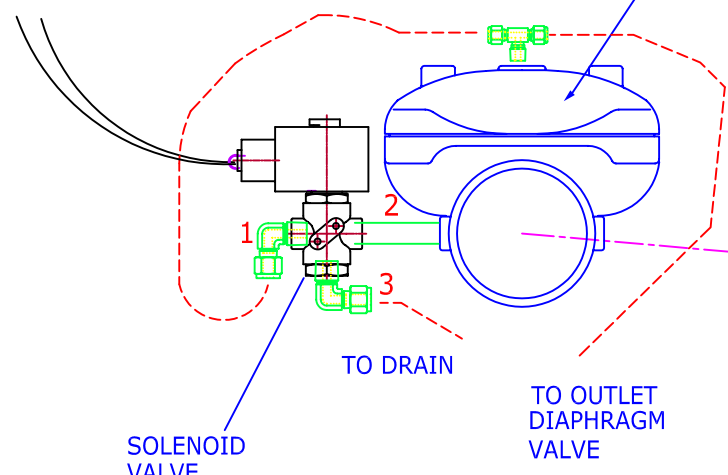




RED WIRES
 Connect to terminals
 N & NO on Taskmaster III
 Block TB-2.
 Add jumper between terminals C & L.

GREEN wire to ground.

DIAPHRAGM VALVE
 (DMB or DM SERIES)

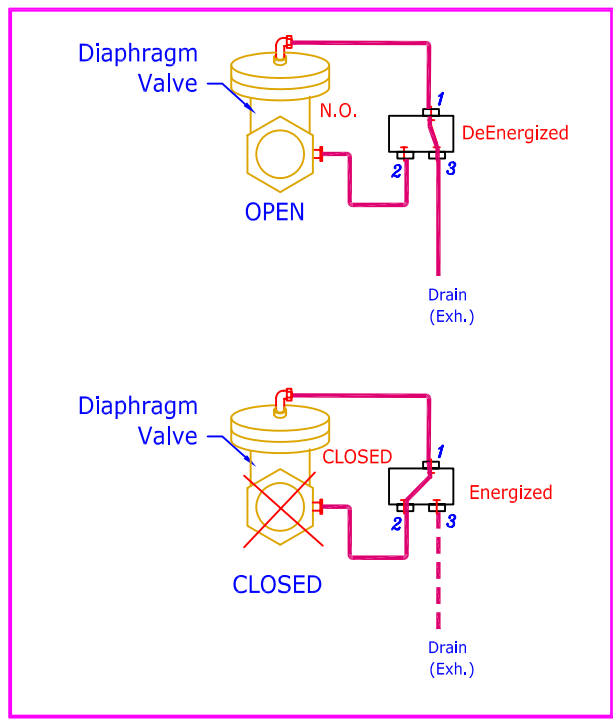
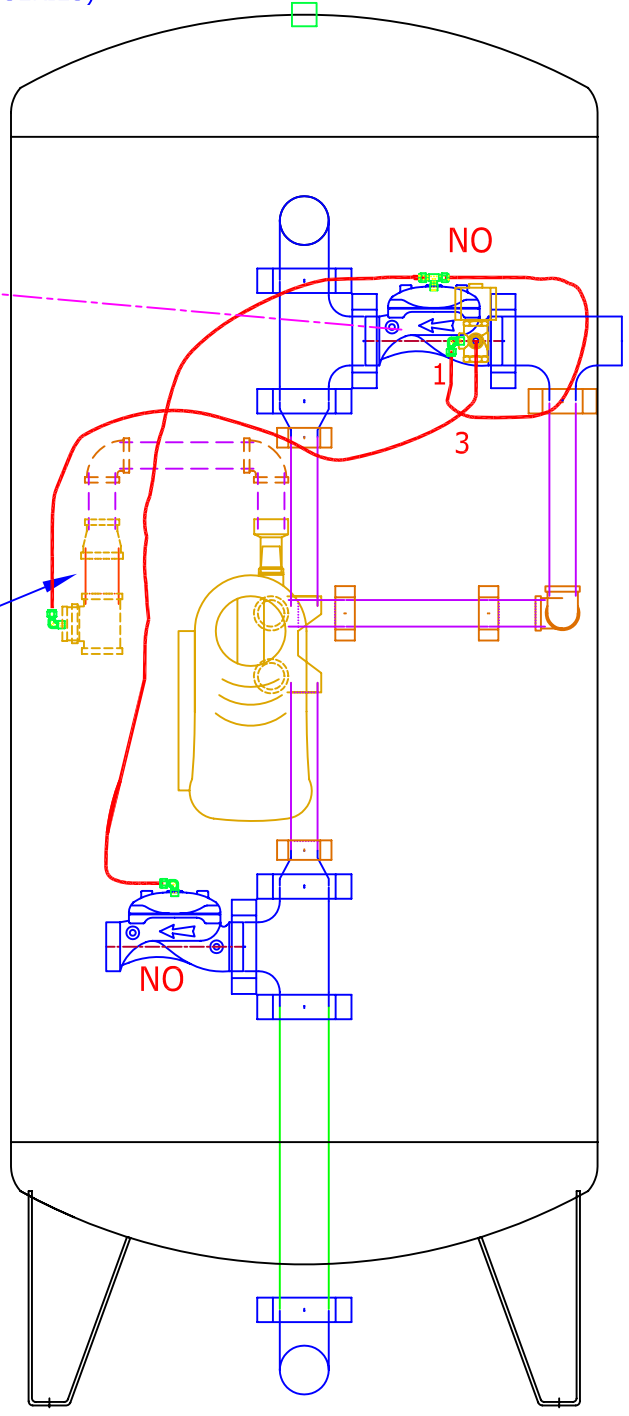


SOLENOID VALVE
 Locate on valve having highest constant pressure.

TO DRAIN

TO OUTLET DIAPHRAGM VALVE

EXTERNAL FLOW CONTROL (IF USED)



LITERATURE # 900975-3

C:\CATALOG\900975-3 - Literature TMIII SOK superFlow.dwg, 10/6/2009 2:16:39 PM, Adobe PDF, Letter 11.0x17.0 - Water King, Inc

BY:	No.	REVISION	DATE	CK'D
.	0	PRELIMINARY	09/25/2009	.
.
.
.



MF SUPER FLOW SHUTOFF KIT TASKMASTER III VALVE TUBING DIAGRAM		
SCALE @ 24"x36"	DRAWING NUMBER	SHEET
N.T.S.	900975-3	01 / 0 1
www.waterking.com		

102 Charbonnet Rd., Duson, Louisiana, U.S.A. 70529

Telephone: (337) 988-2360 * Fax: (337) 981-7922