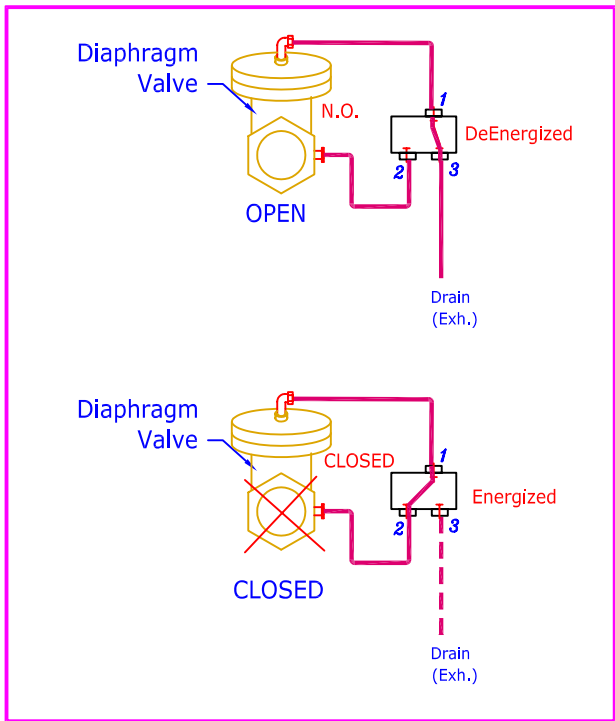
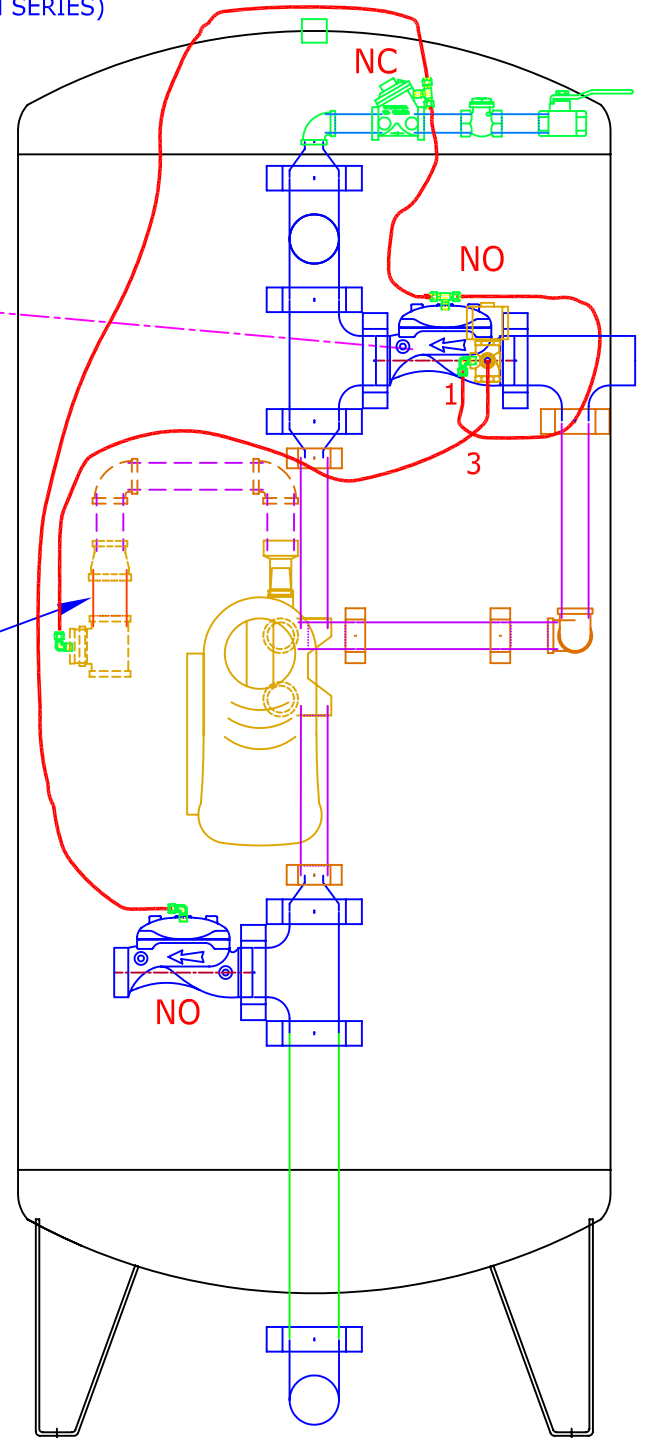
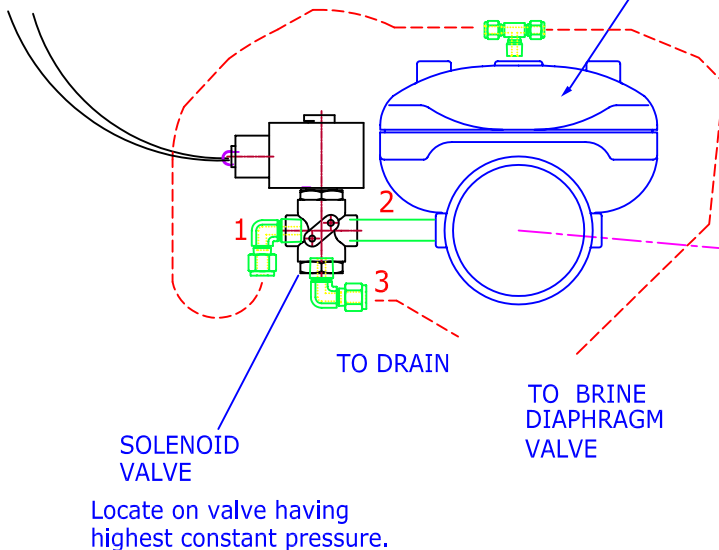


**RED WIRES**  
 Connect to terminals  
 N & NO on TaskmasterIII  
 Block TB-2.  
 Add jumper between terminals C & L.

**GREEN** wire to ground.

**DIAPHRAGM VALVE**  
 (DMB or DM SERIES)



LITERATURE # 900975-3E

C:\CATALOG\900975-3E - Literature TMIII SOK superFlow.dwg, 10/16/2009 2:20:53 PM, Adobe PDF, Letter, 1:13:1171 Water King Inc

No.	REVISION	DATE	CKD
0	PRELIMINARY	09/25/2009	



MF SUPER FLOW SHUTOFF KIT TASKMASTER III VALVE TUBING DIAGRAM W/EXTERNAL EDUCATOR		
SCALE @ 24"x36"	DRAWING NUMBER	SHEET
N.T.S.	900975-3E	01 / 0 1
<a href="http://www.waterking.com">www.waterking.com</a>		

102 Charbonnet Rd., Duson, Louisiana, U.S.A. 70529

Telephone: (337) 988-2360 \* Fax: (337) 981-7922